



General catalogue 2020

Since 1945 superior quality products
for motorhomes, caravans,
van conversions and camper vans

Fiamma is known worldwide as a pioneer and leading company in manufacturing technical accessories for the recreational vehicle market.

INDEPENDENT FAMILY-OWNED COMPANY

Fiamma has more than 100 patents registered in Europe, USA, Japan and China. The headquarters in Cardano al Campo focuses on product design and worldwide distribution. In addition there are eight manufacturing facilities where product improvements, technology innovation and new production processes are constantly implemented. The Fiamma catalogue is translated into 11 languages including Chinese, Japanese and Russian.



Since 1996



Since 2002



Production monitored and safety tested



Fiamma: certified in environmental and climate protection



1945



Fiamma was founded by Norma and Arnaldo Pozzi. The name Fiamma, which in Italian means "flame" comes from the company's first product: an aluminium gas stove for camping.

Fiamma is the first company in Europe to introduce a complete range of superior quality products for Motorhomes and Trailers.



1973

1980



Fiamma starts its operation in the American market and becomes a leader in the production of awnings for Class B Motorhomes.

Fiamma creates the International Motorhome Club to strengthen the relationship between the company and its end-users. Fiamma becomes the first company in this market to get the TÜV-GS (German Quality Control) for its awnings.



1984

1987



Fiamma expands into the Japanese market to become the country's leading manufacturer of accessories for recreational vehicles.

Fiamma receives ISO 9002 certification.



1996

2002



Fiamma receives ISO 9001 certification for its new and state-of-the art factory located in Cardano al Campo.

Fiamma opens new departments equipped with high tech machinery, thereby increasing its production capacity by 40%.



2003

2005



Inauguration of Fiamma Service, the completely automated distribution center of spare parts.

John-David Pozzi (since 2008) and Charles Pozzi, grandsons of Norma and Arnaldo Pozzi, collaborate together in the function of Managing Directors of Fiamma Spa.



2012

2018



Thanks to competent and experienced technicians and through using modern state of the art testing equipment, Fiamma inaugurates the new laboratory and testing area.

Fiamma celebrates 75 years of activity.



2020

Tradition & Quality



FIAMMA.COM

On the Fiamma website you can find all updates and information on our products. In the “points of sale” section you can also find a list of the best Fiamma dealers.



COME AND VISIT US

The Fiamma stand is the meeting point for many motorhome fans in 52 international exhibitions of the RV industry.

You can find the original Fiamma products in a selected network of motorhome specialists with extensive experience in the industry guaranteeing customer satisfaction.



RELIABLE QUALITY

Spare parts drawings for all Fiamma awnings, Carry-Bike and other Fiamma accessories are available online at www.fiamma.com.

Our technical assistance team guarantees a prompt delivery of more than 10,000 spare parts.

If you want to get the best quality and an excellent after-sales service, choose Fiamma products.



INNOVATION AND SAFETY

Fiamma has invested in cutting edge equipment and highly qualified staff to set up its excellent test laboratory in order to guarantee continuous growth in quality of the manufactured products.

Before hitting the market, our new products are subjected to strict tests such as FEM analyses during the design phase using the most advanced aerospace software, along with raw materials testing, laser analysis, crash tests and many other specific tests and trials.

Index

Fiammastore

Awnings and Enclosures

Awnings

Winch awnings for wall installation.....	16-25
Winch awnings for roof installation.....	26-33
Manual awnings.....	34-39

Enclosures

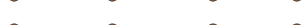
Front and side panels.....	44-47
Enclosures for winch awnings.....	48-57
Enclosures for manual awnings.....	58-59
Complete tents (awning + enclosure).....	60-63
Rear door enclosure.....	64
Skirting.....	65

Accessories

Awning motor kits.....	66-67
Tension rafters.....	68-69
Pegs and anchoring straps.....	70-71
Awning mats.....	72
Miscellaneous.....	73-74
Enclosure & tent accessories.....	74-77
Rubber seals.....	77-79

Installation brackets

Adapters for F45 + F70.....	80-86
Adapters for F80 + F65.....	87-91
Adapters for F40van.....	92
Adapters for F35pro.....	93-95
Adapters for Compass.....	95
Adapters for CaravanStore.....	95



FIAMMA F45s PSA

p.19



new

CARRY-BIKE VW Caddy

p.118



new

CARRY-BIKE Ducato

p.125 / 126



new

Index

Carry-Bike

Bike carriers and accessories

For E-Bike 102-103

Motorhome

Pro Series 104-105

L Series 106-107

Lift Series 108-109

Special versions 110-111

Caravan

For A-frame 112-113

For rear wall 114-115

Campervan

For VW Transporter 116-119

For other camper vans 120-123

Van Conversion

For VW Crafter, Fiat Ducato & other van conversions... 124-127

SUV

For SUV, minivans and 4x4 128-129

Garage

Bike carriers for garage facility 130-131

Moto carriers for garage and van conversions 132-133

Accessories

Rails 134-137

Blocking systems 138-139

Straps, anti-theft systems & installation kits 140-141

Warning signals 142

Bike covers 143

Rear boxes 144-145

Drying racks 145

Deluxe ladders



Cargo Back



Pocket containers



Comfort

Other products for your comfort

Tech

Rooflights 148-155

LED lighting 156-161

Waterpumps 162-163

Plastic

Tanks 164-165

Levellers 166-171

Stabilising jacks 172

Portable steps 173

Organizers 174-176

Alu

Accessories for garage facility 177-180

Safety blocks 181-183

Security handles 184-185

Ladders 186-188

Roof boxes 189

Luggage carriers 190-191

Mix

Portable toilets 192-193

Sanitary line 194-195

Vehicle covers 196-197

Miscellaneous 198-199

Fiamma VW T5 and VW T6 program



F45s awnings for VW T5 and VW T6, 260 and 300cm lengths

18



F40van: the compact roof awning with lowered brackets, 270cm length

32-33



F35pro, the compact and sturdy awning with aluminium case and manual mechanism

36-37



Privacy Room Light: the light and compact Fiamma enclosure for your holidays on the move

52-53



Privacy Ultra Light, the one-piece enclosure, fresh and light, quick to assemble

54-55



Room Van, the all-round room for F40van awning

56-57



Fiamma specialises in VW T5 and T6 products: our complete range of products ensures a more comfortable vacation. Several awnings for every need, dedicated bike carriers and lots of accessories for increased comfort during your holidays



Compass, the manual awning with circular opening at 270°

38-39



Blocker & Side: front and side walls for sun and wind protection

44-47



Privacy Room, the classic enclosure to double your living space

48-50



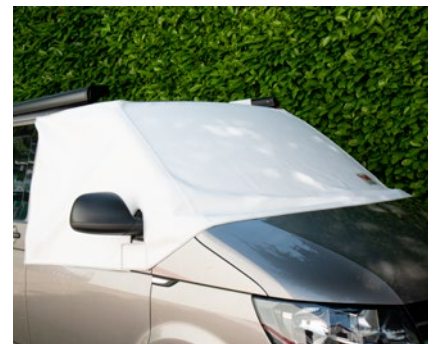
Rear Door Cover VW T5 / T6: the awning for the rear door

64



Carry-Bike VW T5 & T6 Pro: modern design and quick assembly

116-117



Coverglas: outside waterproof blind system to cover all the windows of the VW T6 cabin

197

Fiamma Fiat Ducato program



F45s: wall installation awning with specific brackets for Ducato vehicles

16-17
84



F80s: roof installation awning for Ducato van conversion, lengths from 290 to 450cm

26-27
90



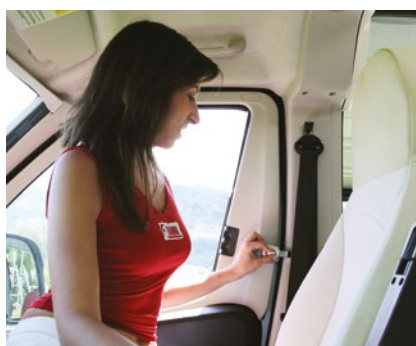
F65eagle Ducato, the legless awning

30-31



Carry-Bike DJ designed for Ducato with double rear doors

125-127



Security block designed to be placed on the inside of the door

181



Deluxe: aluminium ladders supplied with Fixing Bars for easy and quick installation

186-187



Many interesting accessories for your Fiat Ducato, Citroën Jumper or Peugeot Boxer: awnings with dedicated brackets, bike carriers, luggage racks, covers and other accessories for a comfortable and relaxing vacation



Privacy Room: enclosure for Ducato with additional panels for the different lengths

48-51



Privacy Ultra Light, the cool and ultra light enclosure that can be assembled in just a moment

54-55



Rear Door Cover Ducato: the enclosure for rear door

64



Roof Rail, luggage carrier system. Easy installation without drilling the vehicle

190-191



Different solutions to completely protect the engine compartment

197



Roller Roof Rail: helps loading objects from the rear of the vehicle

190-191



Comfort



Tech

Rooflights	148-155
LED lighting	156-161
Waterpumps	162-163

Plastic

Tanks	164-165
Levellers	166-171
Stabilising jacks	172
Portable steps	173
Organizers	174-176

Alu

Accessories for garage facility	177-180
Safety blocks	181-183
Security handles	184-185
Ladders	186-188
Roof boxes	189
Luggage carriers	190-191






Mix

Portable toilets	192-193
Sanitary line	194-195
Vehicle covers	196-197
Miscellaneous	198-199



Rooflight



		ROOFLIGHT with FAN	FAN			ROOFLIGHT without FAN			
		TURBO-VENT TURBO-VENT PREMIUM	TURBO-KIT	KIT TURBO-VENT F	KIT TURBO-VENT 28 F	VENT	VENT F PRO	VENT 28 F	VENT 50
Characteristics	Dimensions	40x40cm				40x40 cm	40x40 cm	28x28cm	50x50cm
	Feeding Tension	12 V	12 V	12 V	12 Vcc	---		---	---
	Absorbed Power	36 W	4 W	36 W	25 W	---		---	---
	Min. electric Input	0,3 A / 0,2 A	0,2 A	0,3 A		---		---	---
	Max electric Input	3 A	0,33 A	3 A	1,9 A	---		---	---
	Max Air Flow	35m ³ /min	7,2m ³ /min	35m ³ /min	9 m ³ /min				
	Fan Diameter	30 cm	24 cm	30 cm	18 cm	---		---	---
	Permanent Air Flow	80cm ²	---	---	50 cm ²	80 cm ²	100 cm ²	80 cm ²	150 cm ²
	Certificates	  E11 43R01/05*7019*00			 	E11 43R01/05*7019*00			
	Weight	4,6kg	1,3kg	2kg	0,5 kg	2,8 kg	4,7 kg	1,8 kg	4,6kg
Thermostat	●		● (Not for P3 version)						
Fan Speed	Variable	2	Variable	1					
Accessories	Rollo-Vent	○				○	●		●
	Spoiler Universal	○				○	○	○	○
	Thermo-Vent 40	○				○			

● Standard ○ Optional



You can finally install the fan on large size rooflights

Kit to convert the rooflight into fan. Turbo-Kit 12 Vdc with telescopic hanging system allows the installation on all rooflights from 40x40cm (not Fiamma) to 50x70cm when the vehicle is stationary and the roof light is open.

Composed of a ventilation system with a 24cm diameter fan and 2 telescopic hangers adjustable from 36 to 48cm.

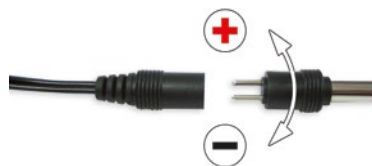
Complete with:

- 1x supply for cigarette lighter socket
- 1x 12Vdc power supply cable for the motorhome's electric supply

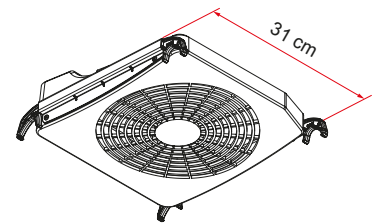
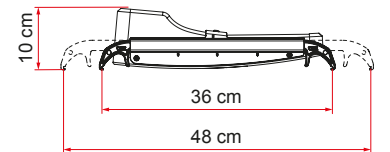
Installation allowing the rooflight to function as fan and aspirator.
Preset to work with batteries (8 x 1.5VD not supplied).

Can be installed on:

- Fiamma Vent 50
 - Omni-Vent
 - RemiTop 400
 - Seitz Mini Heki (not on Plus version)
 - Seitz Midi Heki
- and many more...



*Polarity inverter:
from ventilator to aspirator*



Turbo-Kit	
Feeding tension:	12 V
Absorbed power	4 W
Min. electric input:	0,20 Amp.
Max electric input:	0,33 Amp.
Max air flow:	7,2m ³ /min.
Fan diameter:	24cm

Description	Weight	Item No.
Turbo-Kit	1,3 kg	98683-059

Vent 28 F / Kit Turbo-Vent 28 F

More light in small spaces

Innovative design and aerodynamic shape

The 28cm x 28cm roof light is perfect for small rooms, ensuring improved interior light. The discreet and elegant design of the internal frame makes it suitable for any environment and the aerodynamic shape does not require the use of the spoiler.

Equipped with permanent ventilation and robust aluminium mosquito net. Thanks to the Sandwich System mounting system, it is not necessary to drill any further holes in the roof of the vehicle. Can be accessorised with the optional Kit Turbo-Vent 28 F for motorising the roof light.

Aerodynamic

Due to the aerodynamic shape no spoiler is needed

Sandwich assembly

Quick installation without needing to cut more holes in the roof of your vehicle



Slim frame

Minimum vertical dimensions on the vehicle ceiling

Bright interiors

The opening mechanism is arranged to guarantee plenty of light inside

Technical features

Vent 28 F	
Dimensions	28x28cm
Outside dimensions	32x34cm
Internal dimensions	31x34cm
Inside light	25x25cm
Roof thickness (min - max)	2,8 - 6,0cm
Permanent air flow	80cm ²

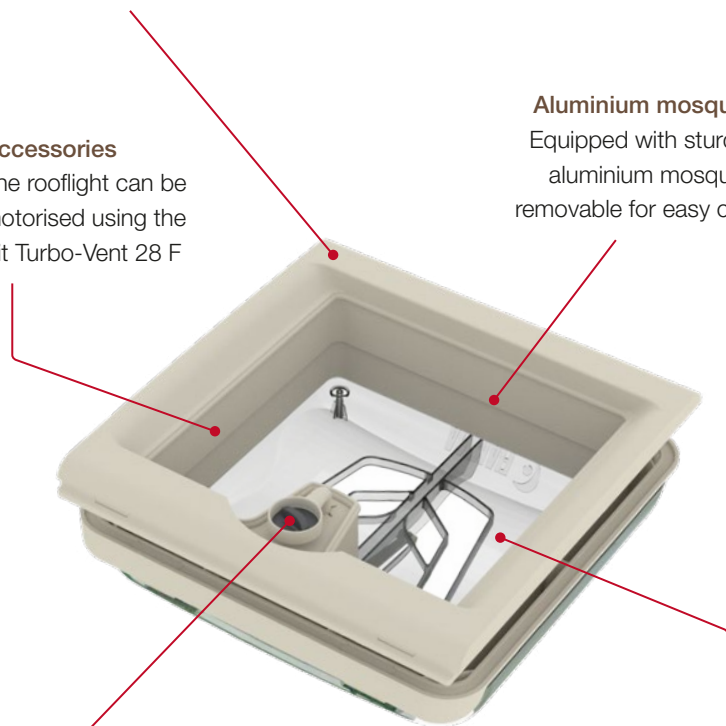
Kit Turbo-Vent 28 F	
Feeding tension	12 V
Absorbed power	25 W
Max electric input	1,9 A
Max air flow	9m ³ /min
Fan diameter	18cm
Permanent air flow	50cm ²

Accessories

The rooflight can be motorised using the Kit Turbo-Vent 28 F

Aluminium mosquito net

Equipped with sturdy, rigid aluminium mosquito net, removable for easy cleaning



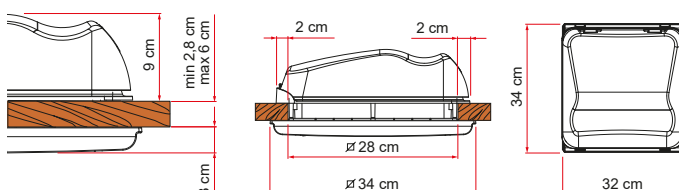
Opening system

Handy opening system with handwheel

Permanent ventilation

The double layer cover ensures constant exchange of air

Models and dimensions



Description	Weight	Item No.
Vent 28 F White	1,8 kg	07902-01-
Vent 28 F Crystal	1,8 kg	07902-01B
Kit Turbo-Vent 28 F	0,5 kg	07903-01-

Vent F Pro

The high-range rooflight, sturdy, functional, complete and with innovative design

The rooflight Vent F Pro with its elegant and stylized design fits perfectly to the new vehicles.

It can be fitted with the optional Kit Turbo-Vent F so as to convert a simple rooflight into motorized fan.



The rooflight can be converted into fan with the optional Turbo-Vent kit

As a window on the roof, it allows a quick and natural air flow. Adding the optional Turbo-Vent Kit it's possible to convert the rooflight into fan, offering a valid alternative to air conditioning.

Technical features	Vent F Pro
Dimensions	40x40 cm
Outside dimensions	56,6x53,1x9,2 cm
Internal dimensions	49x48,6x3,5 cm
Inside light	34,4x34,4 cm
Roof thickness (min - max)	2,8 - 5,5 cm
Permanent air flow	100 cm ²



Optional force ventilation kit

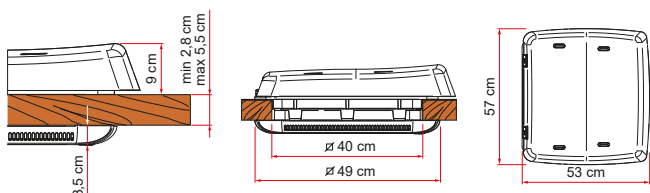
Three models available:

- Kit Turbo-Vent F Premium; equipped with "Touch" electronic control unit and thermostat Polar Control
- Kit Turbo-Vent F; standard version equipped with thermostat Polar Control
- Kit Turbo-Vent F P3; basic version not equipped with Polar Control

Technical features	Kit Turbo-Vent F Premium	Kit Turbo-Vent F	Kit Turbo-Vent F P3
Feeding tension	12 V	12 V	12 V
Absorbed power	36 W	36 W	36 W
Min. electric input	0,3 A	0,3 A	0,3 A
Max electric input	3 A	3 A	3 A
Max air flow	35 m ³ /min	35 m ³ /min	35 m ³ /min
Fan diameter	30 cm	30 cm	30 cm
Polar Control function	●	●	-
Touch function	●	-	-

● Standard

Dimensions



Description	Weight	Item No.
Vent F Pro	4,7 kg	07380-01-
[1] Kit Turbo-Vent F Premium	2,0 kg	07501-01-
[2] Kit Turbo-Vent F	2,0 kg	07501A01-
[3] Kit Turbo-Vent F P3	2,0 kg	07501B01-

Vent • Turbo-Vent



CE  (E11) 43R01/05*7019*00

TURBO-VENT PREMIUM

Rooflight with motor, where all functions can be set in motion by a simple finger-touch. Renewed electronic interface with signal LEDs.

TURBO-VENT

Classic rooflight with 12V DC variable speed motor.

VENT

Rooflight without motor equipped with permanent air flow ventilation and mosquito screen.



Crystal



White

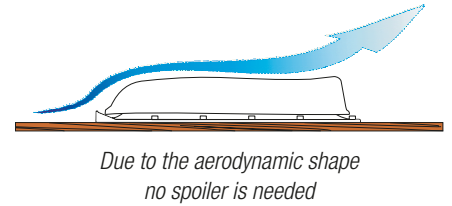
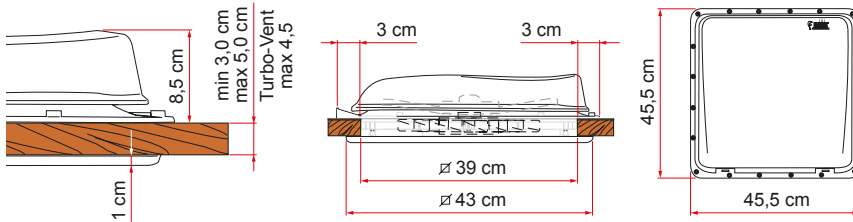
Outer frame: White
Inner frame: Ivory
Cover White or Crystal.

White versions do not need roller blind.

Crystal versions can use the Rollo Vent 40 roller blind.



Dimensions and technical features



Technical features	Turbo-Vent	Turbo-Vent Premium
Feeding tension	12 V	12 V
Absorbed power	36 W	36 W
Min. electric input	0,3 A	0,2 A
Max electric input	3 A	3 A
Max air flow	35 m ³ /min	35m ³ /min
Fan diameter	30cm	30cm
Permanent air flow	80 cm ²	80cm ²

Polar Control

Fiamma Turbo-Vents are **the only vents equipped with Polar Control**: the thermostat regulates the automatic switching on and off of the fan according to the inside temperature of the Motorhome.

The rooflight with excellent performance

Fiamma's range of 40 cm rooflights offer high quality and durability. Thanks to their elegant external aerodynamic profile top, they do not require the use of the Spoiler. During high-speed testing, noise and vibrations were greatly reduced. The outer cover and exclusive patented rubber seal, guarantee a watertight system and ensures that rain is displaced. ABE approved. Made with high quality UV-ray resistant materials. Interchangeable with the old 40x40cm Fiamma Roof-lights and with rooflights from 36x36cm to 42x42cm thanks to the reinforced frame. Supplied with permanent air flow ventilation and mosquito screen.

The Turbo-Vent and Turbo-Vent Premium motorized versions have a large 10 blade fan with 12V DC variable speed motor. It changes and refreshes the air inside your vehicle within seconds. The electronic circuit ensures a rapid, problem-free, change of rotation. The transparent grating permits maximum air circulation and filters light.



Turbo-Vent Premium: modern design with "Touch" electronic control unit

The Premium version of Fiamma Turbo-Vent has been given a modern design with advanced finger-touch controls; the state of the art interface is completed by brand new multicolor LED lights. Speed setting and switching now have acceleration ease which helps saving the Turbo-Vent motor and the vehicle control unit.



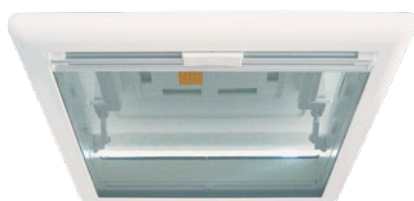
Description	Weight	12V Motor	Polar Control Thermostat	Touch control	Item No.
Vent White	2,8 kg				04328B01-
Vent Crystal	2,8 kg				04328B01D
Turbo-Vent White	4,6 kg	●	●		03623F01-
Turbo-Vent Crystal	4,6 kg	●	●		03623F01B
Turbo-Vent Premium White	4,6 kg	●	●	●	03623H01-
Turbo-Vent Premium Crystal	4,6 kg	●	●	●	03623H01B

● Standard

Vent 50



Delivered as standard with roller blind with two rollers, one black out blind and one mosquito screen



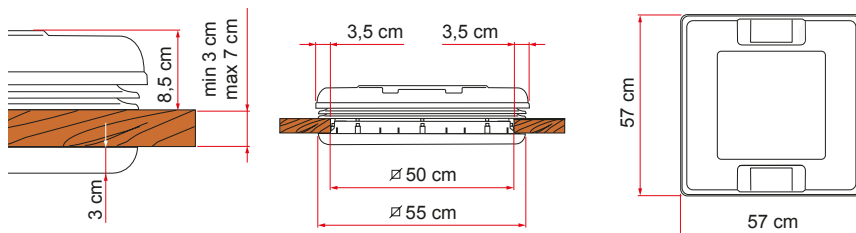
It opens on all four sides with practical handles

The wide pantograph rooflight

50x50cm rooflight, it opens on all four sides with practical handles.
 Delivered as standard with roller blind with two rollers: one blackout blind and one mosquito screen. Assures permanent ventilation.
 Locking anti-theft device on the handles.
 Rainproof and windproof.
 ABE approved and made with high quality UV ray-resistant materials.
 Turbo-Kit can be easily installed as an option (see page 149).

Colours:
 Outer frame: White
 Inner frame: Ivory
 Cover White or Crystal.

E11 43R01/05*7019*00



Description	Weight	Item No.
Vent 50 White	4,5 kg	01668-01-
Vent 50 Crystal	4,7 kg	01668-01D



1

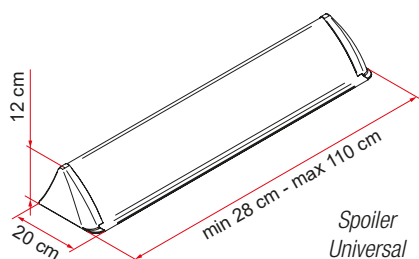
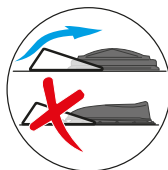
SPOILER

[1] Ideal for reducing vibrations and rooflight noise while travelling. Made with UV-ray resistant sturdy PVC material.

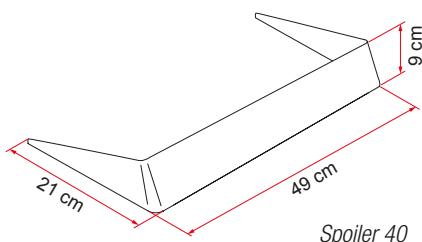
Two versions available.

SPOILER UNIVERSAL: it can be shortened to adapt itself to the different rooflights with dimensions from 110cm to 28cm. Can be attached with suitable adhesives (Sika). Complete with smart lateral aerodynamic end caps.

SPOILER 40: easily installed with the roof vent screws or attached with suitable adhesives (Sika). Designed to fit the non-aerodynamic Fiamma 40x40 and the TF-40 rooflights using the spacers included.



Spoiler Universal



Spoiler 40



2

THERMO VENT 40

[2] Insulated vent shield. Keeps your RV warmer in the winter and cooler in the summer! Suitable for all 40x40 rooflights. The aluminium surfaces assist by reflecting sunlight and by reducing heat loss.

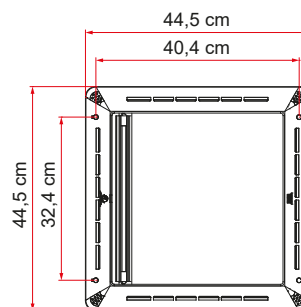
Dimensions: L40 x W40 x H0,6 cm.



3

ROLLO VENT 40

[3] Roller blind system suitable for Fiamma 40x40 rooflights. Permanent ventilation thanks to its side inlets. It's compact thanks to its low profile frame (thickness 3cm). Easy installation without drilling the vehicle: it is fixed to the rooflight frame using the screws (delivered as standard).



Description	Weight	Item No.
[1] Spoiler Universal	0,4 kg	06289-01-
[1] Spoiler 40	0,3 kg	03585-01-
[2] Thermo Vent 40	0,1 kg	03650A01-
[3] Rollo Vent 40	0,1 kg	06310-01-

LED



The range of Fiamma LEDs allows you to effectively illuminate your motorhome with low consumption

The range composed of Ø 5 mm Super Bright LEDs that has compact dimensions and large output.

The duration of one LED is over 25.000 hours, the same as 25 years of standard use in a motorhome.

Safe use in motorhome and caravan with no danger of overheating.

LED with an elegant colour which provides a wide band of illumination, but with low consumption and costs.



Description	Pag.	F45s	F45s WWT5/T6	F70	F45L	F45 Eagle	F80s	F65s	F65L 018	F65L Eagle	Fiamma ZIP	CaravanStore Cstore ZIP
[1] Awning Arms LED	158	●	●	●	●	●	●	●	●	●	●	
[2] Kit Awning LED	158	●	●	●	●	●		●			●	
[3] Kit LED Strip Awning High Brightness	158						●		●	●		
[3] Kit LED Strip Awning	158						●		●	●		
[4] LED Awning Case	159	●		●	●	●					●	
[5] Rafter LED	159	●	●		●			●	●		●	
[5] Rafter LED Caravanstore	159											●
[7] LED Awning Light	160											
[6] LED Warning Solar	160											
[10] LED Garage Light	160											
[9] LED Step	161											
[11] LED Sensor Door Light	161											
[8] LED Awning Light Gutter	161											



[1] AWNING ARMS LED

Two pairs of LED strips for the arms of the awning.

[5] RAFTER LED

The classic central rafter for the fabric, equipped with 36 LED lights.

[8] LED AWNING LIGHT GUTTER

LED lights for the door of motorhomes and caravans complete with drip moulding.

[2] KIT AWNING LED

Pair of LED lights to be fixed into the front fascia of the awning with a click.

[6] LED WARNING SOLAR

The multifunctional LED device with intermittent signals.

[9] LED STEP

Finding the entrance step will no longer be a problem.

[3] KIT LED STRIP AWNING

[4] LED AWNING CASE

Gives you a lot of light by using the whole length of the awning.

[7] LED AWNING LIGHT

LED light for external use.

[10] LED GARAGE LIGHT

For storage compartments and garage facilities.

Item No.	Applications	LED Colour	Tone	Light Cone Angle	Lm/mt	N° LED	Feeding tension	Absorbed power	Electric input
98655-849	Awning	Cold white	6500° k	120°	382	18	12 V	4 W	0,36 A
98655-471	Awning	Cold white	6500° k	120°	170	9	12 V	2,4 W	0,20 A
98655Z051	Awning	Neutral white	5000° k	120°	840	300	12 V	4,8 W	4,00 A
98655Z040	Awning	Neutral white	5000° k	120°	420	150	12 V	2,4 W	2,00 A
98655-914	Awning	Cold white	6500° k	120°	168	150	12 V	2,7 W / each bar	0,23 A / each bar
98655-850	Awning	Cold white	6500° k	120°	792	36	12 V	9,7 W	0,80 A
98655-902	Awning	Cold white	6500° k	120°	792	36	12 V	9,7 W	0,80 A
98655-848	Outdoor	Cold white	6500° k	120°	547	31	12 V	7,4 W	0,62 A
98655-885	Outdoor	Intermitt. red		120°		6	2,4 V	0,03 W	0,012 A
98655-883	Garage	Cold white	6500° k	120°	547	31	12 V	7,4 W	0,62 A
98655-886	Door/Garage	Cold white	6500° k	120°	145	6	12 V	1,7 W	0,14 A
98655-884	Door	Cold white	6500° k	120°	547	31	12 V	7,4 W	0,62 A
98655-607	Door	Cold white	6500° k	120°	547	31	12 V	7,4 W	0,62 A

LED awning



AWNING ARMS LED

[1] LED lighting system composed of 4 LED light kits mounted into sturdy supports and easily attached to the awning arms.

The compact dimensions allow them to stay mounted, even when the awning is closed.

Complete with 5m of cable for quick connection.

Each group of lights contains 9 LEDs, which are equipped for external use.

Low consumption, no overheating.

Easy to mount.

Dimensions of each light kit:

- L300xW17xH7mm.

KIT AWNING LED

[2] Lighting system to be installed on F45 and F65 awnings.

It is composed of two 12V 9 LED low consumption light strips and 5m of cable. Easy to install by pushing them into the rear of the front fascia.

Also fits previous models of Fiamma awning.

KIT LED STRIP AWNING

[3] Specific LED lighting kit for the F80s & F65L awnings, consisting of a 5m LED sticky strip, easily shortened. Supplied as standard with 10 pvc 50cm lenses to fit inside the internal profile of the front bar.

KIT CABLES

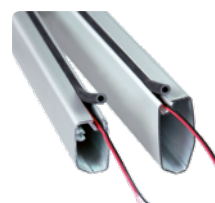
Kit suitable for hiding the electrical cables in the arms of the awning. Suitable for Awning Arms LED (x1) and Kit Awning LED (x2).

KIT CABLES GUIDE: kit of 2 flexible profiles ideal for awnings with arms provided with guide preset for the passing of cables.

- Dimensions (each profile): L1225mm, Ø 6,5 mm.

KIT CABLES RAIL: kit of 2 compact rails, ideal for all the awnings with arms not preset for the passing of the electrical cables.

- L1225xW13xH3mm.



Kit Cables Guide



Kit Cables Rail

Description	Weight	Item No.
[1] Awning Arms LED	0,3 kg	98655-849
[2] Kit Awning LED	0,1 kg	98655-471
[3] Kit LED Strip Awning High Brightness	0,3 kg	98655Z051
[3] Kit LED Strip Awning	0,3 kg	98655Z040
Kit Cables Guide	0,1 kg	98655-903
Kit Cable Rail	0,1 kg	98655-856



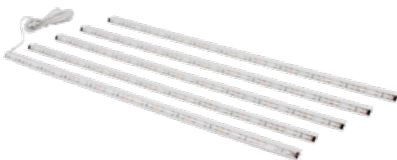
LED AWNING CASE

[4] Light LED bar suitable for external use. To be inserted in the lower housing rail of the case of the F45s, F45L and F70 winch awnings. Delivered as standard in the length of 2.5 m. (for awnings 3.0 m long) composed of :

- 1x bar with wiring for the 12 V electrical connection
- 4x additional bars.

The bars fix by pressure.

The optional 50cm kit is available. It is possible to travel with the LED installed on the awning case.



Telescopic Rafter LED made of solid anodized aluminium with 36 strong and brilliant LED lights. The Rafter LED also includes an integral on/off switch. 25mA LED lamps grant you a powerful white light in the centre of the awning without overheating and with low consumption. Equipped for external use. The Rafter LED can be placed in different positions. It is possible to install more than one Rafter LED. Dimensions: variable length (142-265cm).

RAFTER LED

[5] Suitable for cassette awnings. Delivered as standard with hooks with electric connections to fix on F45s and F45L awnings (for F65s and F65L optional kit 98655-877 is available): you only have to click the rafter into position and the lights come on as if by magic. After drilling and installing the electrical connection to the motorhome, you can use the 5m of cable that is supplied and comes complete with 12V cigarette lighter socket.



RAFTER LED CARAVANSTORE

[5] Suitable for the CaravanStore manual awning. Complete with spring terminal, easily installed when the awning is open and with 5m of cable with plug for connection to the cigarette lighter socket.



Description	Weight	Item No.
[4] LED Awning Case	0,3 kg	98655-914
[4] Kit LED Awning Case 50	0,1 kg	98655-915
[5] Rafter LED	1,6 kg	98655-850
[5] Rafter LED CaravanStore	1,4 kg	98655-902

LED outdoor and garage



7



10

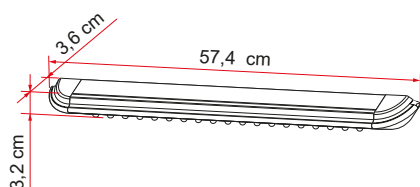


6



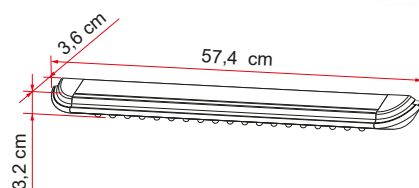
LED AWNING LIGHT

[7] External LED light for awnings. Made of solid painted aluminium. It includes 30 LED lights that emit intense white light that do not overheat; they are designed for internal and external use and are low wattage. You can fix them under the case of the awning or above the entrance door. It can also be installed inside the vehicle under cabinets. Complete with elegant plastic end caps.



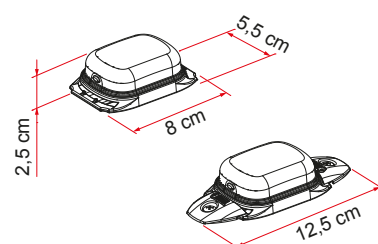
LED GARAGE LIGHT

[10] Internal LED light for storage compartments and garage facilities. Similar characteristics as LED Awning Light but complete with switch.



LED WARNING SOLAR

[6] Kit of two intermittent signal lights. Ideal to be positioned around your caravan or motorhome to highlight a dangerous area. Each light is provided with a solar panel that recharges the internal batteries during the day; twilight conditions switch the 6 red intermittent signal LEDs on for hours of usage. The internal rechargeable batteries are capable of being recharged around 500 times. The lights are provided with hooks as standard to be installed in different positions. They can be installed on steps, bike carrier rails, awnings enclosures, Tie down straps and in many more ways.



Description	Weight	Item No.
[7] LED Awning Light	0,4 kg	98655-848
[10] LED Garage Light	0,4 kg	98655-883
[6] LED Warning Solar	0,2 kg	98655-885



11



8



9



LED SENSOR DOOR LIGHT

[11] External LED light specifically made to be installed on the door of your caravan or motorhome. Similar characteristics to the LED Awning Light but this version is complete with PIR / light sensor.

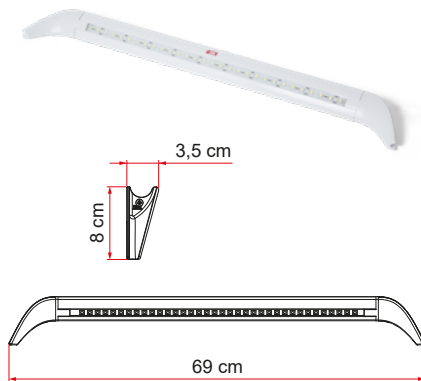
It only lights up at night when a person approaches your vehicle, light remains lit for 60 seconds.



LED AWNING LIGHT GUTTER

[8] Innovative version of the classic Fiamma LED Awning Light. This version is an external door light and is formed to include an upper channel and end caps that taper downwards.

An ideal way to solve the annoying problem of rain dripping from above the door.



LED STEP

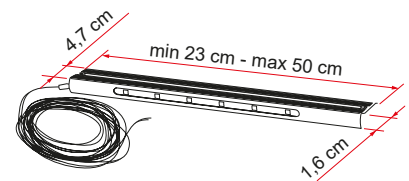
[9] Low consumption LED lighting system for the entrance of the motorhome. Increases safety by ensuring that your step or step well is visible at night.

Made from sturdy anodized aluminium. Kit is 50cm long but can be shortened to 23cm.

Comes complete with:

- 6x 12V low consumption LEDs and wiring for electrical connection

The aluminium L profile can be easily attached to the edge of the step with rivets or SIKA putty.



Description	Weight	Item No.
[11] LED Sensor Door Light	0,5 kg	98655-884
[8] LED Awning Light Gutter	0,7 kg	98655-607
[9] LED Step	0,2 kg	98655-886

Aqua F



Aqua F

More litres per minute, less noise, excellent price-performance relation!

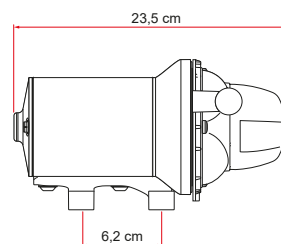
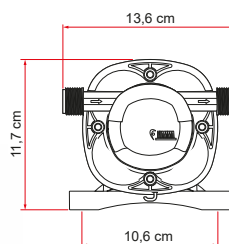
Self-priming diaphragm pump with 4 chambers for potable water designed for a constant and high flow. Equipped with innovative inner membrane made from a single piece to ensure watertight seal, with anti-vibration base, brass pressure switch with fixed calibration and external filter for easy maintenance. Enhanced motor with high efficiency, to ensure high capacity with low power consumption. Can be installed in any position and can run dry without damage.

Advantages

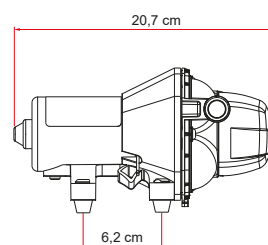
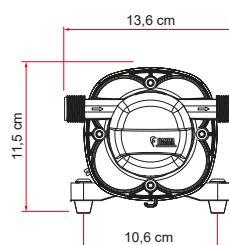
- Anti vibration plastic base
- Visible motor kit with termic protection
- 4 chambers for high flow of water
- Membrane in one piece to protect the motor
- Stainless steel filter (delivered as standard in both versions), removable for easy cleaning



Aqua F (13l)



Aqua F (10l)



Approvals

A safe and reliable pump with many approvals:

- ECE ONU R10
- RCM N136
- DM 174/2004
- EU 10/2011
- DM 21/03/1973



Description	Aqua F (13 litres)	Aqua F (10 litres)
Item No.	07073-01-	07073A01-
Weight	2,2 kg	1,4 kg
Power Supply	12 V	12 V
Absorption	2,5 A	1,7 A
Max flow l/min. at 0 bar	13 l/min	10
Noise level	50 db	52 db
Pressure switch interv.	1,5 Bar 21,7 Psi	1,5 Bar 21,7 Psi
Section head	5 m	5 m

The 10l model is indicated for standard circuits, where it is not required a high flow rate, it's a low power consumption and more economic version, with fittings provided as an option. The 13 l version is suitable for circuits where a high flow rate is required.

Description	Weight	Item No.
Kit connection Aqua F	0,3 kg	98657-013



Aqua 8

The pump appreciated by generations of campers

The self-priming pump with incorporated filter and anti vibration Silent Plate included.

The Aqua 8 pumps water vertically over 3m with no priming.

The stainless steel filter prevents impurities from entering and is easily cleaned so the pump lasts longer. An automatic pressure switch starts and stops the pump by opening and closing the valve.

The pump is resistant to limescale deposits and oxidation.

It can run dry without damage.

The pump can operate in any position, but we recommend installation by placing the motor on top and the head below to prevent possible damage caused by leaks.

Install on a solid surface to reduce noise and vibrations.

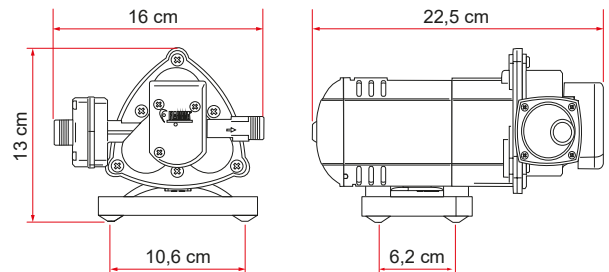
Easy maintenance: all its components are easily replaceable.

Angle and straight connectors for Ø 13mm pipes included.



Anti vibration Silent Plate included

Description	Aqua 8 (7 litres)	Aqua 8 (10 litres)
Item. No.	01216C01-	01216B01-
Weight	1,5 kg	1,5 kg
Power Supply	12 V	12 V
Absorption	1,4 A	3,4 A
Max flow l/min. at 0 bar	7	10
Noise level	55/60 db	65/70 db
Pressure switch interv.	1,5 Bar 21,7 Psi	1,5 Bar 21,7 Psi



A20

The universal expansion tank

Ideal addition to the Aqua 8, Aqua F and all other types of pumps (for example Shurflo and Flojet).

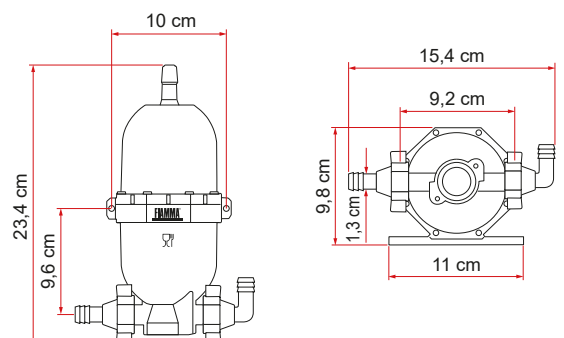
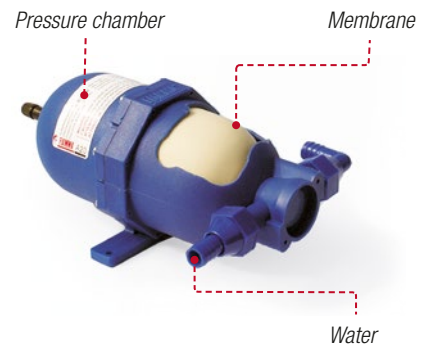
The expansion tank eliminates the pulsating operation of the pump and supplies a constant flow of water in the required quantity.

It extends the life of the pump and boiler and cuts water consumption.

The internal pressurized diaphragm provides a smooth, surge-free flow of water.

The A20 can be dismantled for diaphragm repair and checks.

It is precharged at 0.9 bars (13 psi) but it can be charged with the special valve with a normal compressor so it can be adapted to all pumps.

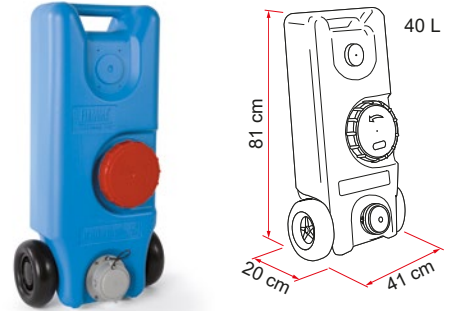


Description	Weight	Item No.
A20	0,3 kg	02478-01-



ROLL-TANK 40 F

Portable fresh-water roll tank with easy grip handle and two large wheels that make transportation easy even on gravel. Made of non-toxic material. Easily cleaning wide cap.

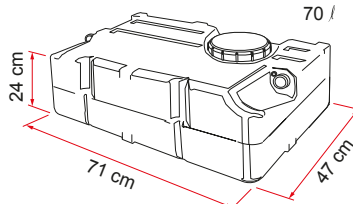
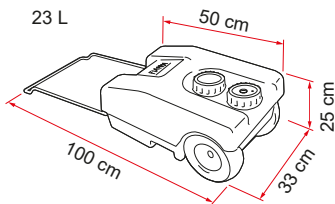


ROLL-TANK 23 F

Convenient portable fresh-water tank with easy access discharge cap. Compact size (fits through normal vehicle doors). Supplied with extra cap for immersion pump (not included).

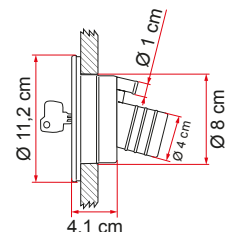
TANK 70

Fresh-water tank. It can be installed either vertically or horizontally. Comes complete with all necessary fittings for installation. Water inlet pipe: Ø 38mm. Water air outlet: Ø 13mm.



WATER CAP

Locking water cap. Available white and black.



Description	Capacity	Weight	Item No.
Roll-Tank 23 F*	22,5 l	2,4 kg	02428A01A
Roll-Tank 40 F*	35 l	3,8 kg	02428-01A
Tank 70*	65 l	4,4 kg	01537-01-
Water Cap White		0,2 kg	94715-010
Water Cap Black		0,2 kg	94715-005

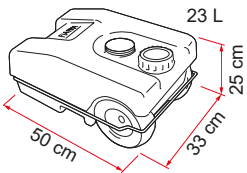
* Approvals : EU 10/2011 - DM 21/03/1973 - DM 174/2004

Tank grey



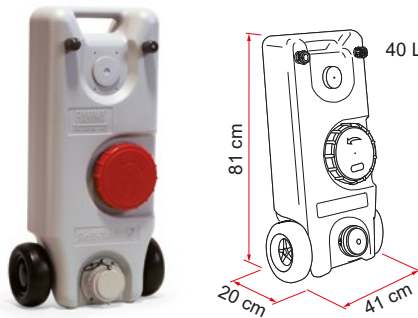
ROLL-TANK 23 W

Practical and portable waste water tank with total discharge cap. Compact size (fits through normal vehicle doors).



ROLL-TANK 40 W

Waste tank with level indicator and air release valve. Filling and discharging are performed through a Sanitary-Flex drain tube (not included). 45° angle adapter for discharge is included.



QUICK CONNECTION W

Adapter to turn the threaded connection into a bayonet connection, to easily connect the Sanitary Flex to the Tank 23 W.



KIT SANITARY FLEX

Flexible hose 300cm. extendable. Delivered as standard with 2 fittings for connection to Roll-Tank 40W, Tank 21 W and Quick Connection W.



Description	Capacity	Weight	Item No.
Roll-Tank 23 W	22,5 l	2,4 kg	02428A01-
Roll-Tank 40 W	35 l	3,9 kg	02428-01-
Kit Sanitary Flex		0,8 kg	02438A01-
Quick Connection W		0,2 kg	06497-01-

Kit Level Up Premium



Advantages

- It protects the tyre
- Does not sink into the ground
- Made of techno-polymer with cradles positioned on three levels
- Max load capacity 2.500kg each
- Tested breaking strength up to 8.000kg
- Delivered as standard with Level Bag Premium
- Convenient handle for easy transport
- TÜV approved

The high-performance levelling system for motorhomes of all types

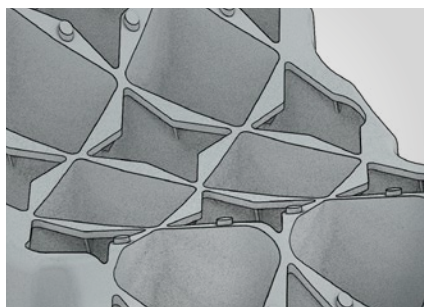
The Fiamma level with three step levels positioned at 7, 13 & 17cm [2].

The ratio between surface in contact with the ground and tyre guarantees excellent performance on unstable terrain and preserves the tyres from deformation by securing an ample resting surface and contoured cradles.

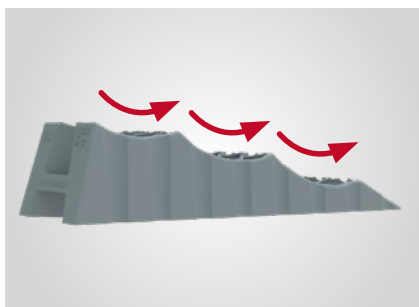
The new structure [1] was re-engineered to satisfy load supporting needs and ensure the product can adapt to rough terrain.

The rear handle [3] means you can handle the Level wedges easily despite their larger size. Much lighter than equivalent products, they stand out for their excellent performance on all types of terrain.

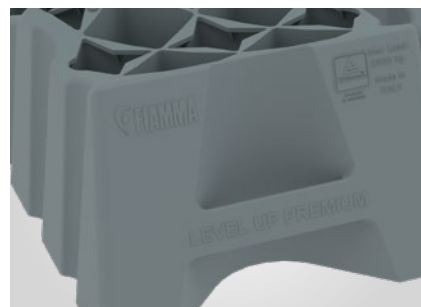
The handy Premium Level Bag, included as standard, can be used to stow away the product. 2 piece package.



1 New re-engineered structure



2 Three step levels



3 Rear handle

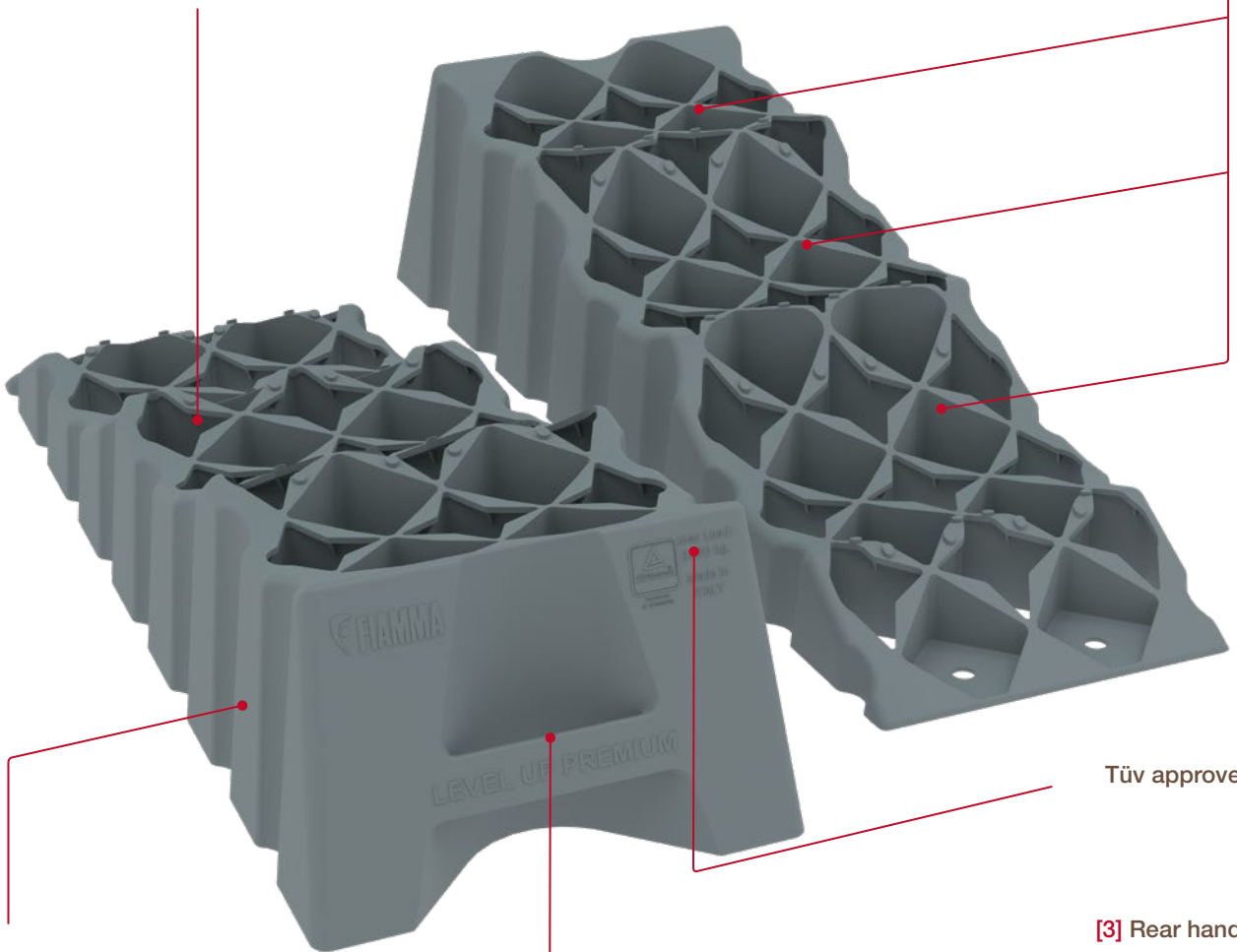


[1] Re-engineered structure:

the structure was re-engineered to satisfy load supporting needs and ensure the product can adapt to rough terrain

[2] Step levels:

three step levels positioned at 7, 13 & 17cm allow to stabilize the vehicle in the best possible way



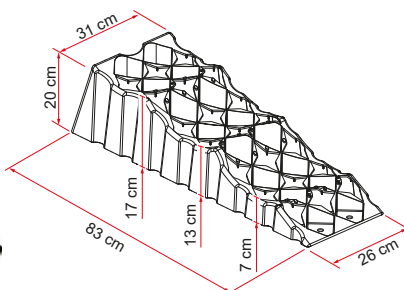
Lightness:

much lighter than equivalent products, weighs only 3.6 kg. each, they stand out for their excellent performance on all types of terrain

Tüv approved

[3] Rear handle:

it allows to transport the Level wedges easily despite their larger size



		Kit Level Up Premium
Characteristics	Item No.	97901-058
	Colour	grey
	Dimensions	83x31x20 cm
	Levels	3
	Max axle weight	5,0 t
	Overlapping	no
	Weight	3,7 kg cad.
	Level Bag Premium	●

● Standard

This item is not offered for sale to UK customers and must not be imported into the UK or sold to third parties in the UK.

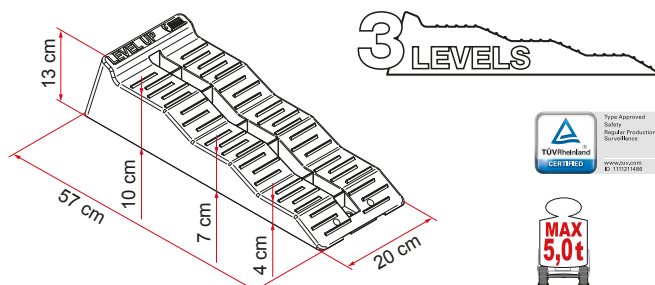
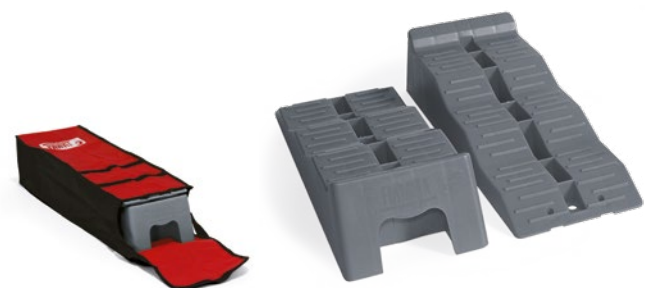
Level levelling systems



LEVEL UP • KIT LEVEL UP

[1] The best-selling level of the range. Ridged surface to grip to the vehicle's tyres. Consists of 3 levels.

Lightweight and made from rust-proof material, easy to clean and UV-resistant. 2 piece package. The Kit Level Up is sold complete with Level Bag. Colour: grey.



KIT LEVEL UP JUMBO

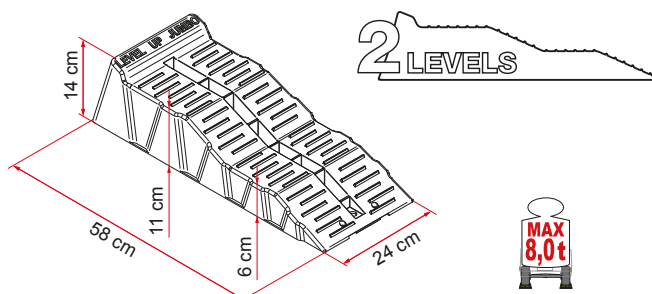
The level with max axle weight.

Wider dimensions for a better support which make levelling your motorhome easy.

Consists of:

- 2x Level Up Jumbo grey
- 1x Level Bag.

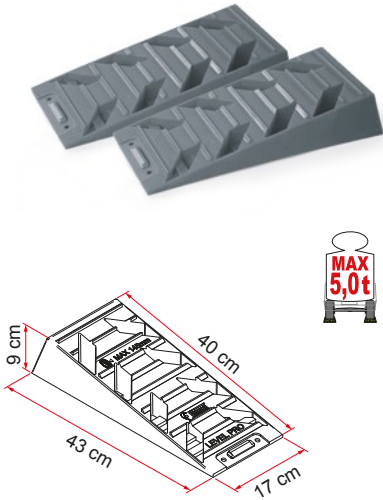
Colour: grey.





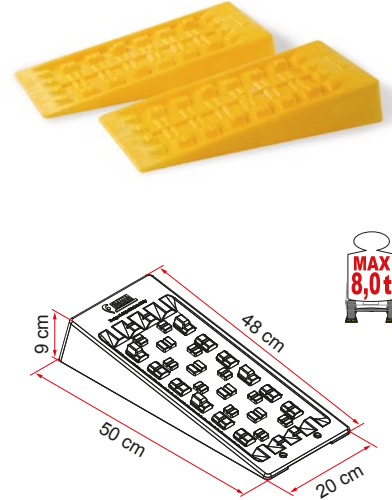
LEVEL PRO

Innovative design leveller, ideal for caravans and vehicles with small wheels. Solid construction in HD UV-resistant polyethylene. Practical self-locking overlap system. 2 piece package. Colour: grey.



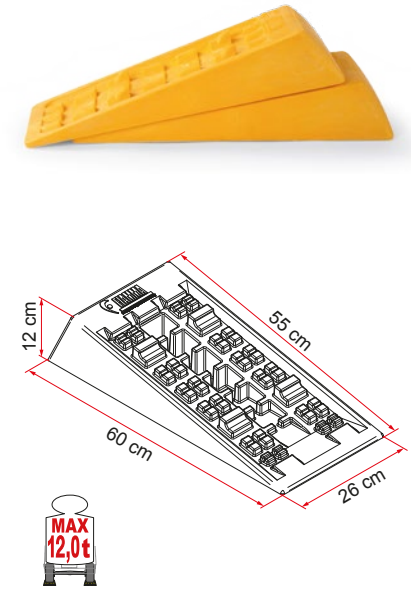
LEVEL SYSTEM MAGNUM

Practical self-locking overlapping system that can raise height. Ideal for motorhomes. 2 pieces package. Colour: yellow.



LEVEL SYSTEM JUMBO

Ideal for twin tyres. 2 pieces package. Colour: yellow.



Level your motorhome or caravan with the essential Level. The original version is only from Fiamma!

Light, strong and anticorrosive. Keep your vehicle perfectly levelled for improved operation of equipment. Will not crack or break like wood. Non-skid finish. Solid construction in UV-resistant polyethylene.



		Level Up	Kit Level Up	Kit Level Up Jumbo	Level Pro	Level System Magnum	Level System Jumbo
Characteristics	Item No	97901-038	97901-052	97901-053	97901-011	97901-015	97901-016
	Colour	grey	grey	grey	grey	yellow	yellow
	Dimensions	57x20x13 cm	57x20x13 cm	58x24x14 cm	43x17x9 cm	50x20x9 cm	60x26x12 cm
	Levels	3	3	2			
	Max axle weight	5,0 t	5,0 t	8,0 t	5,0 t	8,0 t	12,0 t
	Overlapping	no	no	no	yes	yes	yes
	Weight	1,45 kg each	1,45 kg each	1,75 kg each	0,8 kg each	1,3 kg each	2,9 kg each
Accessories	Chock Level	○	○		○	○	
	Anti Slip Plate	○	○	○	○	○	
	Level Bag	○	●	●			
	Level Bag S				○	○	
	Level Plate	○	○				

● Standard ○ Optional

Wheel & Grip

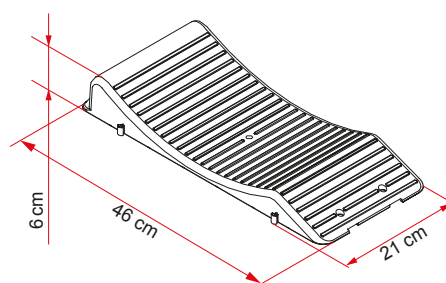
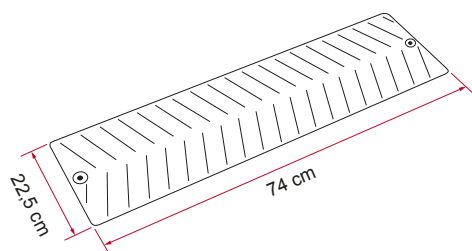


GRIP SYSTEM

[1] Anti-skid system with superior traction. The two grips can be combined into one long piece to position under the motorcaravan's wheels. Solid construction in UV-resistant polyethylene. Easy to clean. Ideal on sand and mud, can be used with Level Up. 2 pieces package. Colour: grey.

WHEEL SAVER

[2] System of cradles that avoids ovalization of the tyres, suitable for wheels up to 70 cm in diameter. Ideal in the case of long parking and garaging. It is possible to fix the cradles on the floor of the garage, in order to have a fixed position of parking. Package of 2 cradles made of resistant plastic material. Colour: grey.



Description	Colour	Weight	Item No.
[1] Grip System	grey	0,4 kg each	97901-055
[2] Wheel Saver	grey	0,6 kg each	97901-013

Level accessories



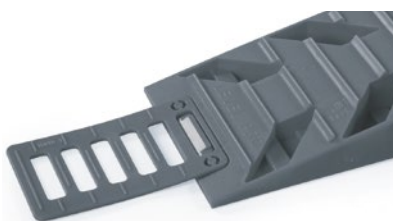
CHOCK LEVEL

[1] Kit of 2 chocks to secure the wheels during long stopovers. Delivered as standard with steel hooks to firmly fasten two Chocks when used on Levels. Solid construction in UV-resistant polyethylene. Colour: grey.



ANTI SLIP PLATE

[2] Anti-slip plate to block the level system on paved surfaces only. Dim.: 10x16cm. 2 pieces package. Colour: grey.



LEVEL PLATE

[3] Anti-skid system designed to easily be installed under the Fiamma Level Up with the screws that are delivered as standard; it increases traction of the levels and avoids skidding on smooth surfaces and sinking of soft ground like sand or mud. Solid construction in UV-resistant PELLD. Comfortable carry handle. 2 pieces package. Colour: grey



LEVEL BAG

[4] Bag available in washable Polyester, easy to carry thanks to its comfortable shoulder belt. Available in two versions, see schedule below.



Description	Item No.	Level Up	Level Up Jumbo	Level Pro	Level System Magnum	Level System Jumbo	Wheel Saver	Weight
[1] Chock Level	97901-037	○		○	○			0,1 kg
[2] Anti Slip Plate	97901-012	○	○	○	○		○	0,1 kg
[3] Level Plate	97901-041	○						0,3 kg
[4] Level Bag [renewed]	05950A02A	○	○					0,2 kg
[4] Level Bag S [renewed]	05950B02A			○	○		○	0,2 kg

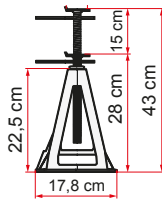
● Standard ○ Optional

Jacks & Plates



ALU JACKS

[1] Aluminium jacks. Comes in a package of 4 stacked pieces. Made of strong aluminium. Adjustable in height from min. 28cm to max 43cm.



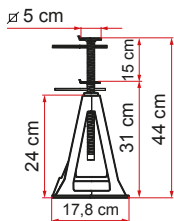
PLATES PRO

[2] Kit of 4 anti-sinking bases supplied with 4 locks to be fastened to the vehicle's lifting jacks. Permanently secured even when travelling. Dimensions: 19x14,5cm.



PLASTIC JACKS

[4] Plastic UV-resistant jacks. Comes in a package of 4 stacked pieces. Adjustable in height from min. 31cm to max 44cm.



PLATES

[3] Kit of 4 reinforced anti-sinking plates for the feet of the caravan. Dimensions: Ø 20cm.



Description	Max load each	Colour	Weight	Item No.
[1] Alu Jacks	1000 kg	aluminium	0,9 kg each	00680-01-
[4] Plastic Jacks	750 kg	grey	0,8 kg each	00680C01G
[2] Plates Pro		grey	0,2 kg each	97901-057
[3] Plates		grey	0,2 kg each	97901-056

Step



1



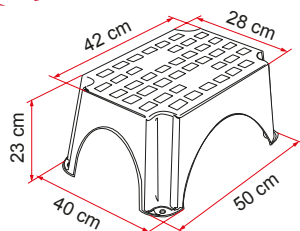
4



2

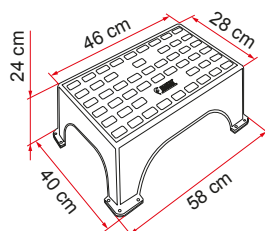
STEP

[1] The classic step for caravans and motorhomes, made of UV-resistant HD Polyethylene for more stability and strength. Non-skid surface.



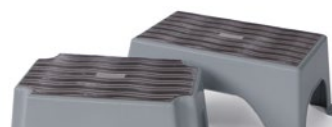
STEP MAGNUM

[2] The strongest step for caravans and motorcaravans made of UV-resistant polypropylene for more stability. Large non-skid surface.



STEP-MAT

[3] Covering for the surface of Fiamma Steps. Made of soft and flexible anti-skid UV resistant rubber. Easy to position on the step thanks to the pressure joint, increasing its reliability. Ideal for frequent use of Step.



CLEAN STEP

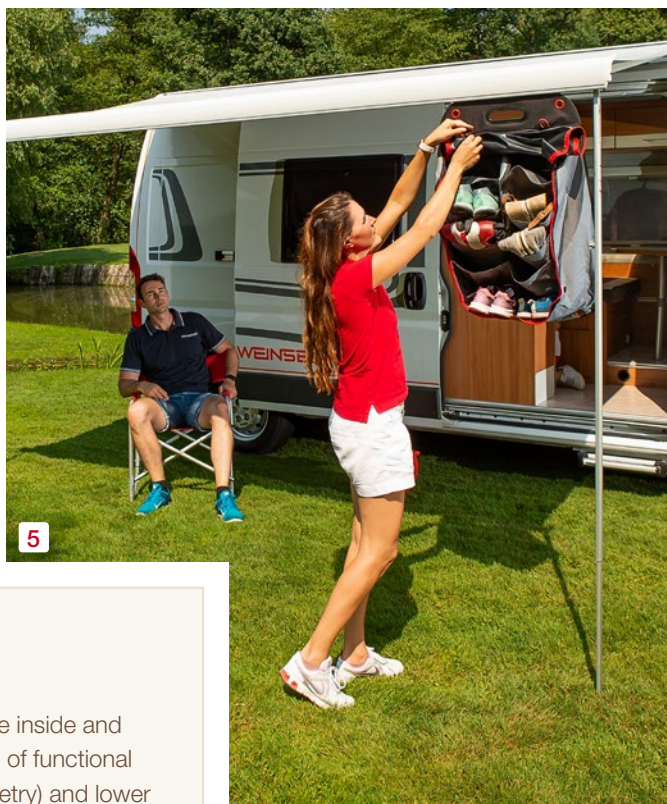
[4] Doormat suitable on electric or manual steps. Keeps your vehicle clean, leaving out sand and mud. Supplied with springs. Made of durable plastic material. Fitting is carried out with springs which are included. Steps sizes:

- min 38x40cm
- max 45x40cm



Description	Colour	Max capacity	Weight	Item No.
[1] Step	grey	150 kg	1,0 kg	02950-01-
[2] Step Magnum	grey	200 kg	1,3 kg	04630-01-
[3] Step-Mat	black		0,4 kg	06373-01-
[3] Step-Mat Magnum	black		0,5 kg	06374-01-
[4] Clean Step Green	green		0,2 kg	04593-01-
[4] Clean Step Black	black		0,2 kg	04593-01A

Organizer containers



To organize objects with style

With the Fiamma organizer line, you can best organize the space inside and outside the vehicle. The restyling of the line with the introduction of functional elements such as pockets (Organizer S, Seat Organizer and Toiletry) and lower pocket with double compartment (Organizer S) will give you the opportunity to organize the spaces and find the right place for each product.



Triple Fixing

Pack Organizer S, Pack Organizer L and Pack Organizer Shoes can be fixed in three different ways:

- A. using the rail
- B. using the eyelets
(screws not delivered as standard)
- C. with Fix Organizer (optional)





[1] PACK ORGANIZER L



[2] PACK ORGANIZER S



[3] PACK ORGANIZER TOILETRY



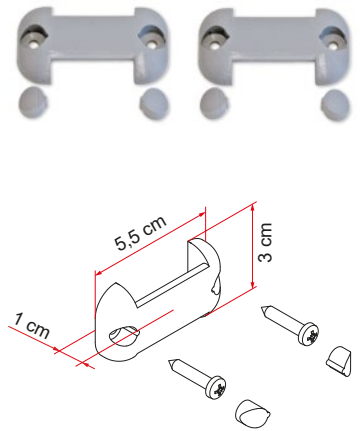
[4] PACK ORGANIZER SEAT



[5] PACK ORGANIZER SHOES



[6] FIX ORGANIZER



Description	Weight	Dimensions	Number of pockets	Triple Fixing	Function	Item No.
[1] Pack Organizer L	0,5 kg	88x39 cm	6	●	For little objects	07512A01-
[2] Pack Organizer S	0,4 kg	50x84 cm	11	●	For little objects	07512-01-
[3] Pack Organizer Toiletry	0,6 kg	30x37x11 cm 30x118x11 cm	10		Container for bathroom fittings	07515-01-
[4] Pack Organizer Seat	0,3 kg	43x66x2 cm	4		To hang up on the rear part of the seats of your vehicle	07514-01-
[5] Pack Organizer Shoes	1,1 kg	84x54x2 cm	10	●	Container for shoes	07513-01-
[6] Fix Organizer	0,1 kg	5,5x3x1 cm				98655-163

● Standard

Pocket range-tout

gamme restylée

PACK WASTE

[1] Poubelle pliable, encombrement minimal une fois fermée ; ouverte elle est d'une grande capacité.

Livrée de série avec :

- 2 crochets démontables
- 2 crochets Fix Organizer

Dimensions:

- Ouvert: 29,5x29,5x42 cm
- Fermé: 29,5x29,5x4,2 cm



CARRY-DOG

[2] Niche pliable livrée avec tapis et œillets pour la fixation au sol et avec sac de rangement à poignée.

Grandes ouvertures latérales dotées de moustiquaire pour un maximum d'aération. Fermeture facile grâce au Velcro.

Dimensions :

- Ouvert : 75x55x49 cm
- Fermé : 78x55x4 cm



PACK ORGANIZER BOX

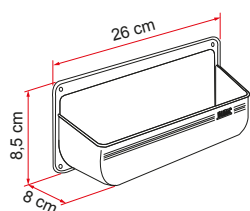
[3] Pack Organizer Box, un très pratique espace de rangement. Ses points forts ? La polyvalence et un encombrement minimal

nouveau



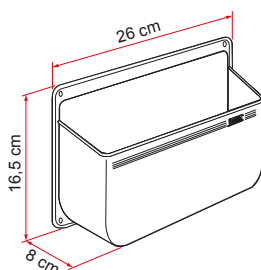
POCKET M

[3] Range-tout en plastique résistant, facile à installer grâce aux vis fournies de série.



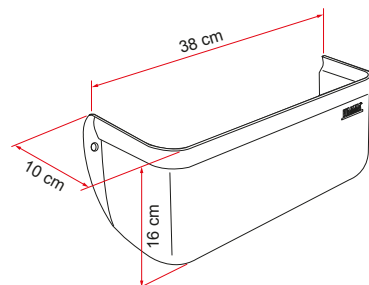
POCKET L

[4] Range-tout en plastique résistant, facile à installer grâce aux vis fournies de série.



POCKET XL

[5] Range-tout spacieux et pratique, s'installe facilement sur la paroi du véhicule ou sur la portière du camping-car, à l'aide des vis fournies. En ABS résistant.



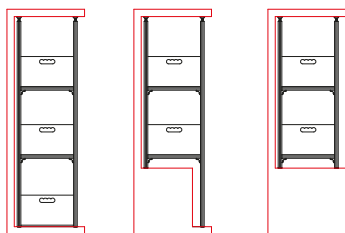
Description	Couleur	Poids	Référence	Prix
[1] Pack Waste [restylé]	gris / noir	1,7 kg	08202-01-	€ 47,20
[2] Carry-Dog [restylé]	gris / noir	2,8 kg	08201-01-	€ 78,80
[3] Pack Organizer Box [nouveau]	gris / noir	2,5 kg	08207-01-	€ 48,00
[3] Pocket M	blanc	0,1 kg	03177-01-	€ 6,80
[4] Pocket L	blanc	0,1 kg	03178-01-	€ 8,50
[5] Pocket XL	gris	0,3 kg	03284-01-	€ 13,10

Garage System étagères



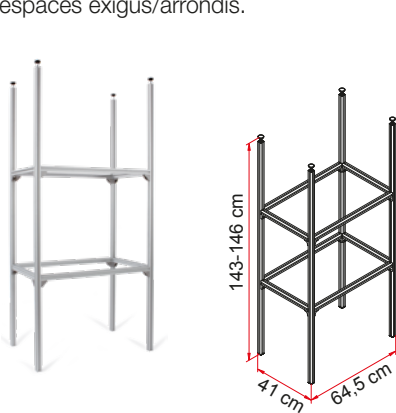
Dispositif universel pour gérer l'espace de votre soute.

S'adapte à toutes les dimensions de soute.



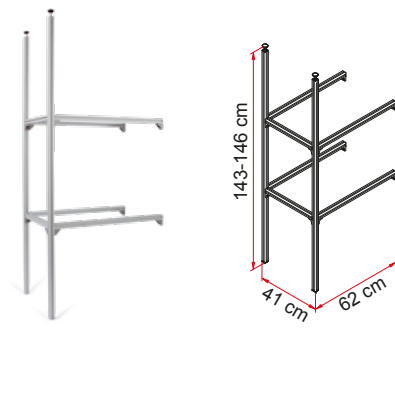
GARAGE SYSTEM STANDARD

La structure d'ensemble se compose de trois rayons pour placer des bacs de rangement pliables en option afin d'optimiser le rangement de tout le matériel dans la soute. Hauteur réglable, les barres peuvent être raccourcies pour les soutes avec marche postérieure ou espaces exigus/arrondis.



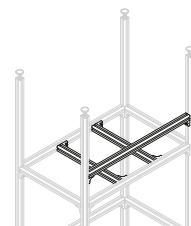
GARAGE SYSTEM UPGRADE

Cette structure sert à agrandir la structure d'ensemble de base par l'ajout d'un deuxième rayon. S'assemble facilement au Garage System Standard.



GARAGE SYSTEM SUPPORT

Kit de deux barres inférieures et d'une barre latérale en aluminium à utiliser comme support au Garage System pour plus de soutien et une meilleure fixation.



GARAGE BOX

Jeu de trois bacs de rangement pliables conçus pour être assemblés aux étagères du Garage System. Grande capacité ; faible encombrement une fois repliés. Dimensions : 60x40x23 cm.



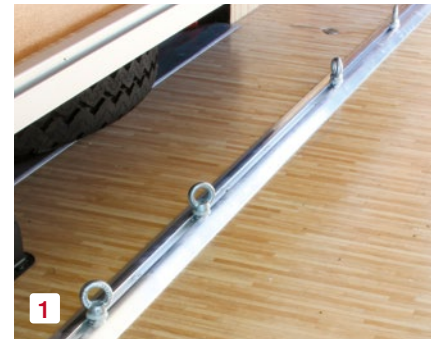
Description	Poids	Référence	Prix
Garage System Standard	5,7 kg	98655-907	€ 237,00
Garage System Upgrade	3,9 kg	98655-908	€ 166,00
Garage System Support	0,9 kg	98656-772	€ 57,20
Garage Box (3 pièces)	5,6 kg	98655-909	€ 95,50
Kit Garage Wall Brackets	0,1 kg	06667-01-	€ 15,50



KIT GARAGE WALL BRACKETS

En option pour fixation à la paroi ou aux barres latérales Garage-Bars (Réf. 98655-480) pour les soutes dotées de toit réglable en hauteur.

Garage Bars barres



GARAGE BARS

Composé de 2 rails de fixation multifonction en aluminium anodisé à fixer aux parois ou sur le plancher des soutes. Toutes les versions sont vendues par deux et les embouts sont livrés de série.

[3] La version standard (Garage Bars) est livrée avec :

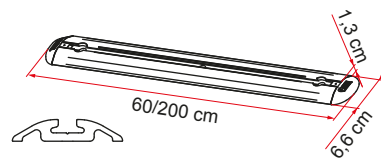
- 5 Kit Eye œillets coulissants (10 pièces)

[1; 3] Les versions Premium 200 et Corner sont livrées avec :

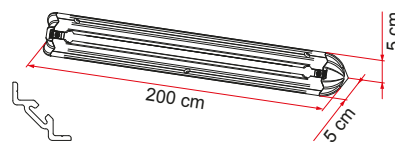
- 4 Kit Eye Premium/Corner (8 pièces)

[2] Les barres Premium 60 sont livrées avec :

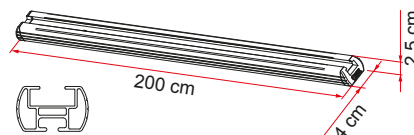
- 2 sangles de fixation



Garage Bars Premium



Garage Bars Corner



Garage Bars



[5] Kit Eye Premium/Corner



[6] Kit Eye

KIT SQUARE PLATES

[7] Crochets en acier inox anti-corrosion à fixer au plancher ou à la paroi des soutes.
Dim.: 3,5x3x2cm.



Description	Kit Eye Premium/Corner	Kit Eye	Poids	Référence	Prix
[1] Garage Bars Premium 200	●/○		4,8 kg	98655-609	€ 150,00
[2] Garage Bars Premium 60			2,2 kg	98655-608	€ 80,30
[3] Garage Bars Corner	●/○		4,8 kg	98655-906	€ 157,00
[4] Garage Bars		●/○	3,1 kg	98655-480	€ 102,00
[5] Kit Eye Premium/Corner (2 pièces)			0,1 kg	98656-735	€ 9,20
[6] Kit Eye (2 pièces)			0,1 kg	98656-494	€ 8,90
[7] Kit Square Plates (4 pièces)			0,1 kg	98656-485	€ 17,20

● De série

○ En option, pouvant être acheté séparément dans le cas où un plus grand nombre d'œillets coulissants serait souhaité

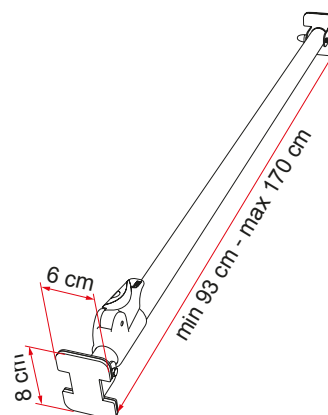
Garage accessoires



Pour une organisation rapide et à bas prix de la soute de votre camping-car

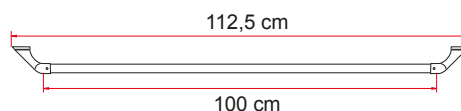
LUGGAGE BAR

[1] Solide barre télescopique, idéale pour attacher facilement, et en toute sécurité, les objets à transporter à l'intérieur de la soute ou dans la dinette. Réglage simple grâce au pratique dispositif de fixation à levier. Embouts en caoutchouc garantissant une bonne prise, sans endommager les parois. Barre en aluminium anodisé, légère mais résistante. Possibilité de la raccourcir aisément jusqu'à un minimum de 93 cm et de l'allonger jusqu'à un maximum de 170 cm pour une adaptation aux soutes de différentes dimensions.



GARAGE CARRY-RAIL

[2] Le rail pour la soute du camping-car. Composé d'une solide mais légère barre tubulaire en aluminium anodisé de 22 mm de diamètre, maintenue par deux solides crochets arrimés au plafond. Le poids de charge varie en fonction de la solidité de la paroi du plafond de la soute. Idéal pour suspendre cintres, vêtements ou autres objets. Pour un poids maximal de 10 kg.



Description	Longueur	Poids	Référence	Prix
[1] Luggage Bar	min 93 cm - max 170 cm	0,7 kg	05411-03-	€ 45,70
[2] Garage Carry-Rail	112,5 cm	0,5 kg	06112-01-	€ 54,50

Garage accessoires



CARGO STRAP

[1] Dispositif de fixation idéal pour attacher les tables, les chaises, les roues de secours ou tout objet peu volumineux dans la soute de votre camping-car. Pour un poids maximal de 20 kg. Livré d'origine avec :

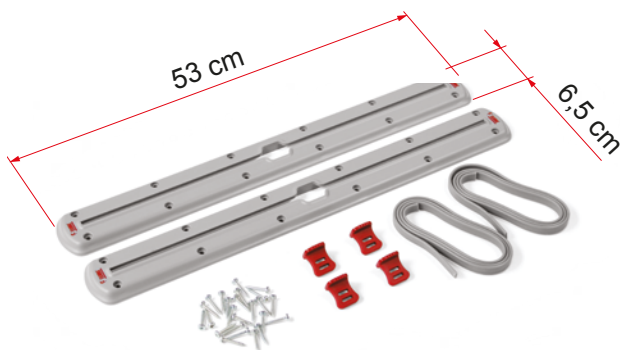
- 2x rails en ABS
- 4x crochets
- 2x sangles élastiques
- 24x vis pour la fixation

KIT CARGO ACCESSORY

[2] Kit supplémentaire pour Cargo Strap (05677-01-), pour les objets lourds ou volumineux.

Kit composé de :

- 4x crochets supplémentaires
- 2x sangles élastiques

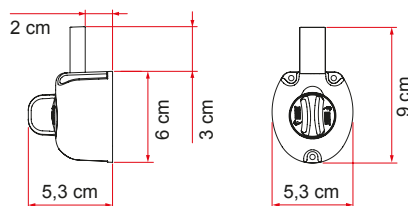


Description	Poids	Référence	Prix
[1] Cargo Strap	0,5 kg	05677-01-	€ 30,40
[2] Kit Cargo Accessory	0,1 kg	98656-510	€ 15,10

Safe Door Guardian serrures

SAFE DOOR GUARDIAN

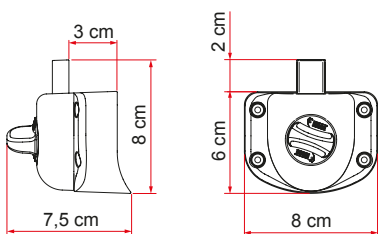
Bloc de sécurité à installer à l'intérieur de la porte de la cellule et/ou de la soute de votre camping-car pour dissuader les voleurs. Construit en aluminium très solide, sans aucune pièce en plastique. Remplace les serrures en plastique trop fragiles des véhicules. Se pose au même endroit, de la même manière et en utilisant les mêmes orifices de fixation. Jeu de 2 blocs.



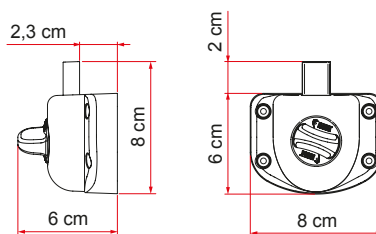
Safe Door Guardian standard

Versions spéciales

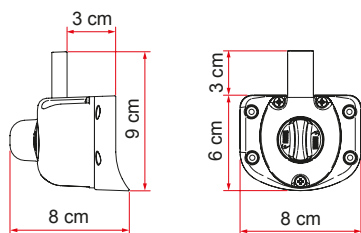
Ces versions de Safe Door Guardian sont spécifiques pour les véhicules mentionnés ci-dessous. Ils ont des formes différentes pour respecter précisément les portes avant.



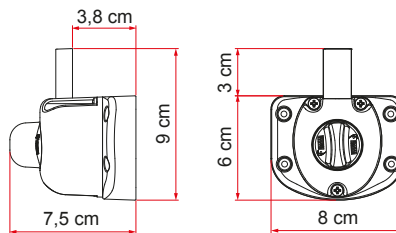
Ducato
après 06/2006
avant 09/2009



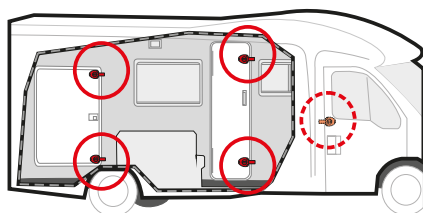
Transit
avant 06/2006



Ducato
après 09/2009



Transit
après 06/2006



Description	Poids	Référence	Prix
Safe Door Guardian	0,3 kg	05388-01-	€ 48,10
Safe Door Guardian Ducato après 09/2009	0,4 kg	05388-07-	€ 60,40
Safe Door Guardian Ducato après 06/2006 avant 09/2009	0,4 kg	05388-04-	€ 60,70
Safe Door Guardian Transit après 06/2006 avant 2014	0,4 kg	05388-05-	€ 57,10
Safe Door Guardian Transit avant 06/2006	0,4 kg	05388-03-	€ 62,30

Safe Door serrures



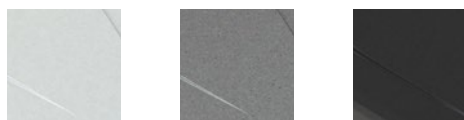
Bloc de sécurité pour la porte de la cellule du camping-car et de la caravane

Très dissuasif face aux tentatives de vol car réalisé en aluminium verni robuste et sans aucun élément en plastique. Idéal pour soute et portillons de coffre.

Safe Door : montage sur la paroi avec 4 vis autotaraudeuses. Livré avec plaque inférieure et cache intérieur.

Safe Door Frame : pour l'installation sur le montant interne de la porte de la cellule ou du portillon de coffre. Montage facile grâce à 3 vis autotaraudeuses.

3 couleurs disponibles : blanc, gris et noir.



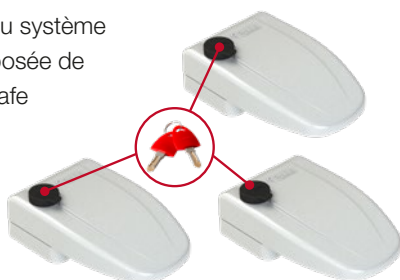
blanc

gris

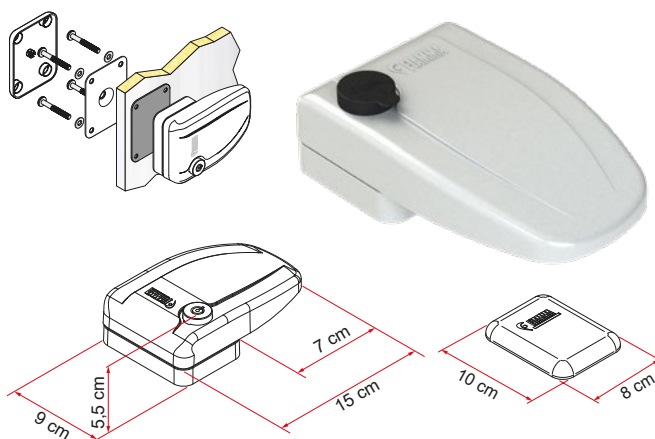
noir

One Key System

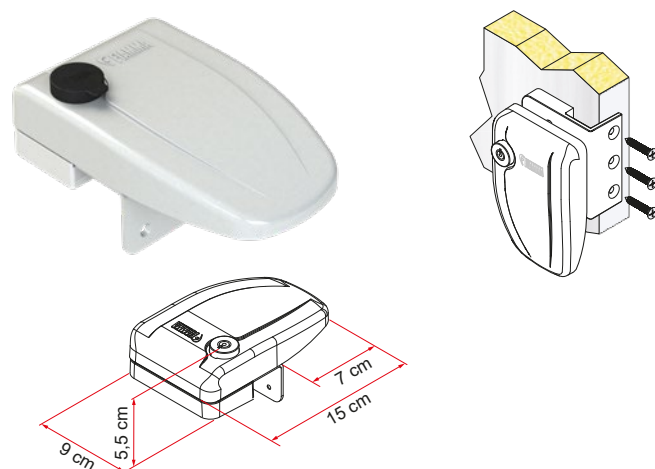
La version "3" dispose du système One Key System : composée de trois blocs de sécurité Safe Door / Safe Door Frame possédant la même serrure.



[1] SAFE DOOR

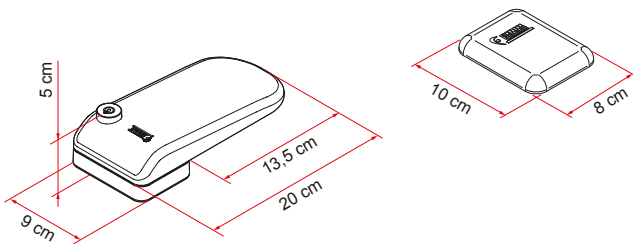


[2] SAFE DOOR FRAME



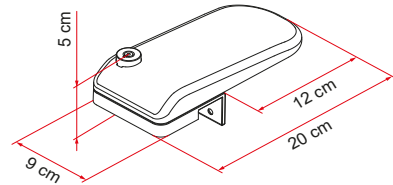
SAFE DOOR MAGNUM

[3] De dimensions allant jusqu'à 20 cm pour couvrir, où cela est possible, la serrure entière des portes des camping-cars pour une plus grande protection contre les vols avec effraction.



SAFE DOOR MAGNUM FRAME

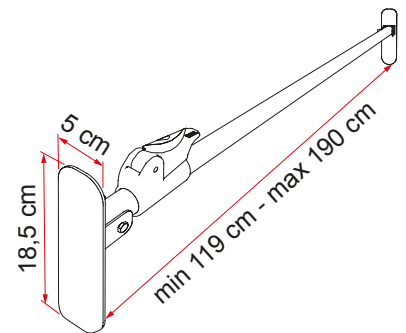
[4] Fixation sur les montants intérieurs des portes avec 3 vis autotaraudeuses et de dimensions allant jusqu'à 20 cm pour couvrir, où cela est possible, la serrure entière des portes.



DUO-SAFE PRO

[5] Testé sur :

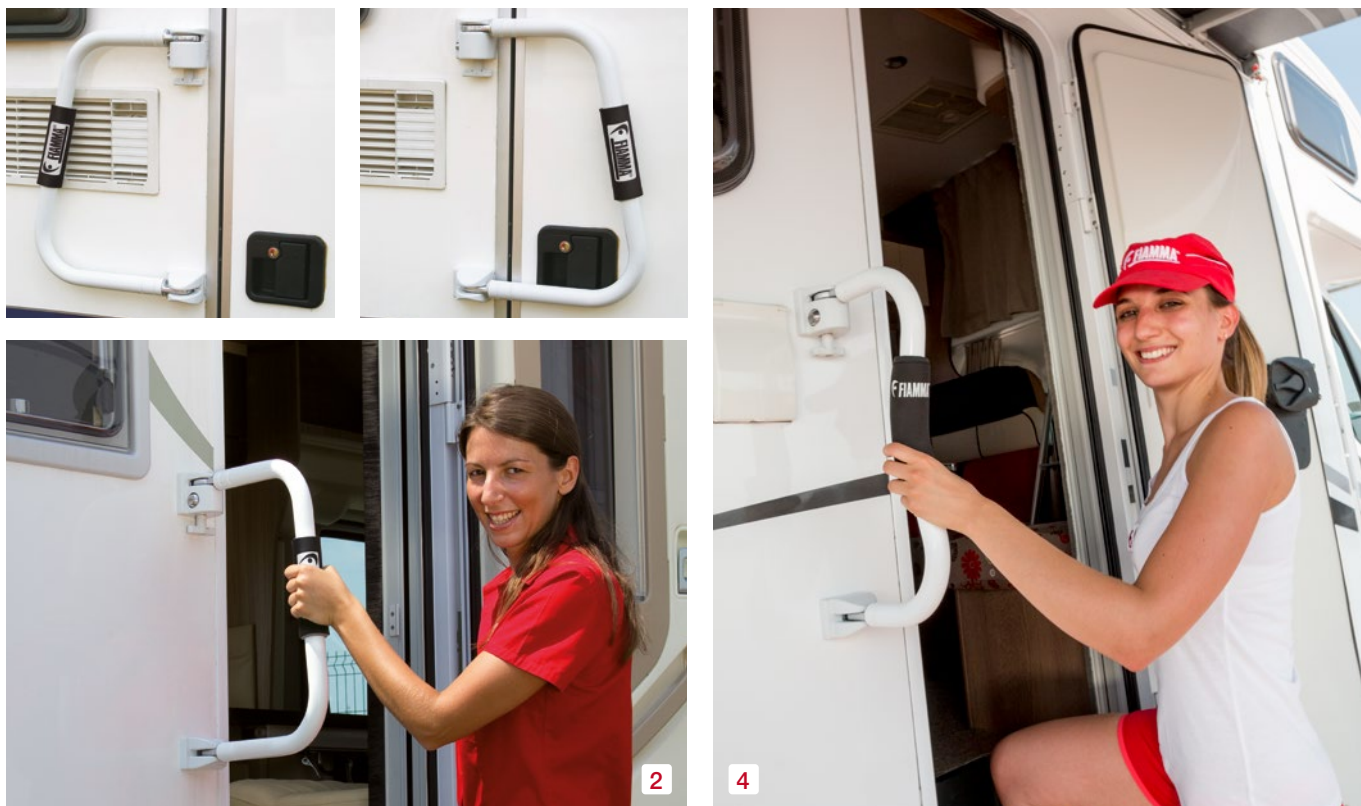
- Fiat Ducato, Citroën Jumper, Peugeot Boxer et Renault Master jusqu'au 06/2006
- Mercedes Sprinter, Fiat Ducato, Renault Master et Ford Transit à partir du 06/2006
- S'adapte aussi aux cabines des Iveco Daily



Description	Couleur	Montant de la porte	One Key System	Poids	Référence	Prix
[1] Safe Door	blanc			0,6 kg	08021-01-	€ 54,80
[1] Safe Door	gris			0,6 kg	08021-01G	€ 58,70
[1] Safe Door	noir			0,6 kg	08021-01A	€ 58,70
[1] Safe Door 3	blanc		●	1,7 kg	08021-02-	€ 163,00
[1] Safe Door 3	gris		●	1,7 kg	08021-02G	€ 174,00
[1] Safe Door 3	noir		●	1,7 kg	08021-02A	€ 174,00
[2] Safe Door Frame	blanc	●		0,5 kg	08022-01-	€ 56,30
[2] Safe Door Frame	gris	●		0,5 kg	08022-01G	€ 58,80
[2] Safe Door Frame	noir	●		0,5 kg	08022-01A	€ 58,80
[2] Safe Door Frame 3	blanc	●	●	1,5 kg	08022-02-	€ 168,00
[2] Safe Door Frame 3	gris	●	●	1,5 kg	08022-02G	€ 174,00
[2] Safe Door Frame 3	noir	●	●	1,5 kg	08022-02A	€ 174,00
[3] Safe Door Magnum	blanc			0,6 kg	08023-01-	€ 65,30
[4] Safe Door Magnum Frame	blanc	●		0,6 kg	08023A01-	€ 63,50
[5] Duo-Safe Pro	gris			1 kg	05411-02-	€ 56,00

● De série

Security poignées



Poignées et barres de sécurité... pour plus de tranquillité

Les poignées de sécurité Fiamma n'occupent que très peu de place quand, en route, elles sont repliées contre la paroi. Ouvertes, les poignées sont une aide idéale pour monter et descendre du véhicule. Compatibles avec tous les portes, avec ouverture à droite ou à gauche.

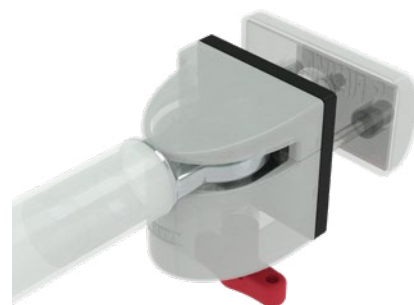
Livrées d'origine avec :

- 1 poignée de sécurité Security
- 1 serrure avec clé
- 1 crochet de sécurité
- 1 kit d'installation et pattes de fixation, vis et caches intérieurs
- 1 bande centrale en mousse pour une meilleure prise
- 1 revêtement rugueux de protection pour la bande centrale

KIT SPACER SECURITY FENDT

[1] Kit spécifique de rehausses pour l'installation de la poignée de la série Security pour les caravanes Fendt.

nouveau

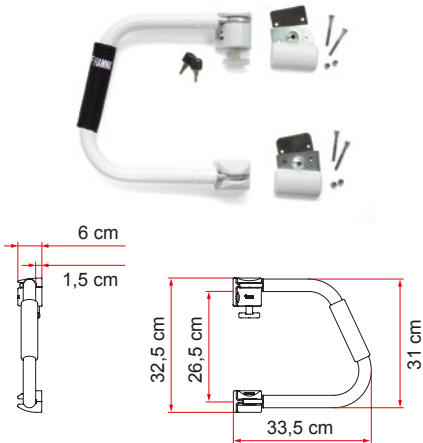


Description	Couleur	Kit Security Lock	Security Grip	Poids	Référence	Prix
[1] Kit Spacer Security Fendt [nouveau]	noir			0,2 kg	08101-01-	€ 18,00
[2] Security 31	blanc	○	●	1,1 kg	03513-01-	€ 88,90
[3] Security 46	blanc	○	●	1,2 kg	03513A01-	€ 102,00
[4] Security 46 Pro	blanc	●	●	1,7 kg	03513-04-	€ 134,00
[5] Security S	blanc	○	●	1,1 kg	03513-05-	€ 105,00
[6] Kit Security Lock	blanc			0,5 kg	98656-433	€ 45,00
[7] Security Grip	noir			0,4 kg	07093-01-	€ 7,10

● De série ○ En option

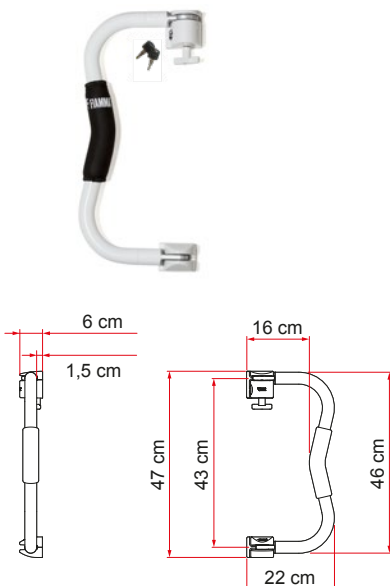
SECURITY 31

[2] Poignée de sécurité réalisée en aluminium verni, de Ø 30 mm et 2 mm d'épaisseur.
Hauteur : 31 cm.



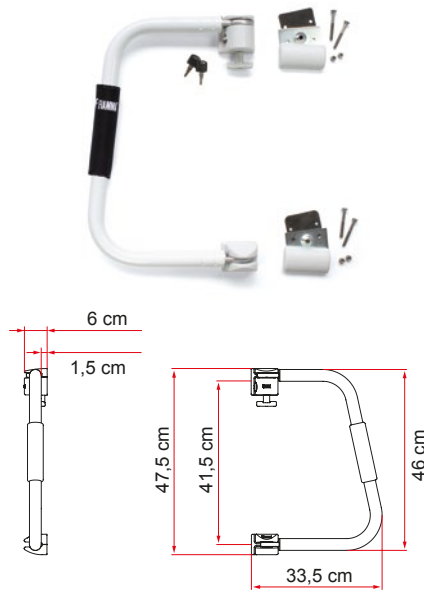
SECURITY S

[5] Modèle de poignée de préhension idéale, pliée en son centre (en forme de M), plus ergonomique. Réalisée avec des tubes en aluminium verni, de Ø 30 mm et 2 mm d'épaisseur. Hauteur : 46 cm. Moins de dépassement et une prise de la poignée encore plus proche du bord en toute simplicité.



SECURITY 46

[3] Poignée de sécurité réalisée en aluminium verni, de Ø 30 mm et 2 mm d'épaisseur.
Hauteur : 46 cm.



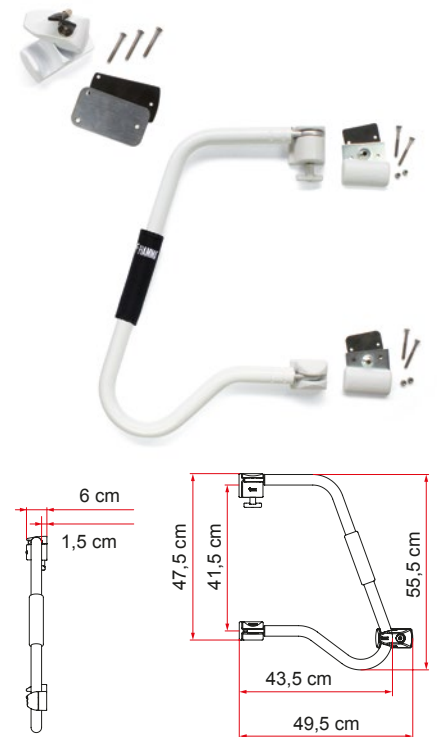
KIT SECURITY LOCK

[6] Kit serrure de sécurité en option à rajouter aux poignées Security 31, 46 et Security S pour les portes des camping-cars.
Livré avec clefs et cache intérieur.



SECURITY 46 PRO

[4] Version de Security conçue quand une structure plus résistante est requise.
Livrée avec Kit Security Lock pour une plus grande sécurité et robustesse grâce au troisième point de fixation sur la porte.



SECURITY GRIP

[7] Revêtement rugueux en néoprène pour une meilleure prise de la poignée Security.
Livré de série avec toutes les poignées de sécurité mais aussi disponible comme accessoire optionnel pour les versions précédentes.



Échelles en aluminium haut de gamme

Toutes les échelles Fiamma ont des tubes Ø 30 mm. et des marches anti-dérapantes, dimensions interne de la marche : 28 cm, dimension externe : 35 cm. Dimension interne de la marche en conformité avec la norme européenne UNI EN 131.

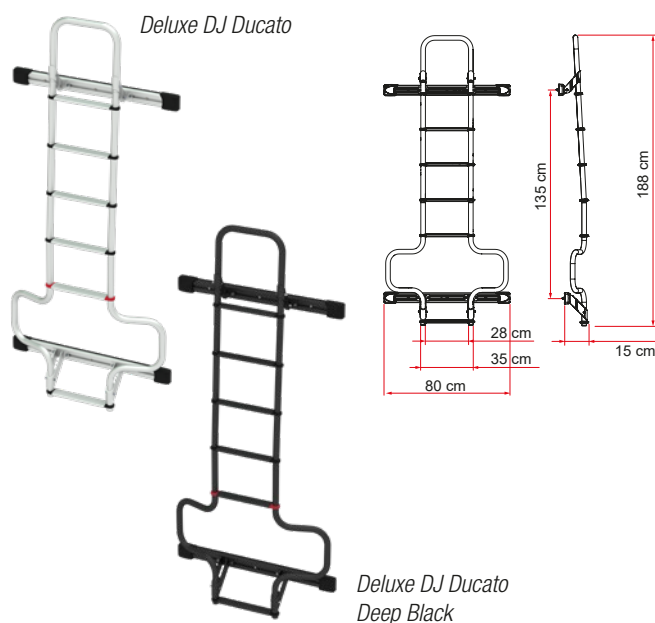
Nouvelles versions
Deep Black

Pour cette nouvelle saison, Fiamma présente également une harmonisation du design pour les échelles Deluxe Dj Ducato et Sprinter qui acquièrent ainsi l'élégance et la sobriété du noir ; couleur qui caractérise la production des porte-vélos des dernières saisons. Deluxe DJ Ducato : livrée avec barres Fixing Bar pour plus de sécurité de montage sur la porte arrière gauche, se complète avec le Carry-Bike 200 DJ (pages 114-115). S'installe sur les véhicules suivants : Fiat Ducato, Citroën Jumper, et Peugeot Boxer après 2006 et Ford Transit à deux portes arrière de 2006 à 2011.

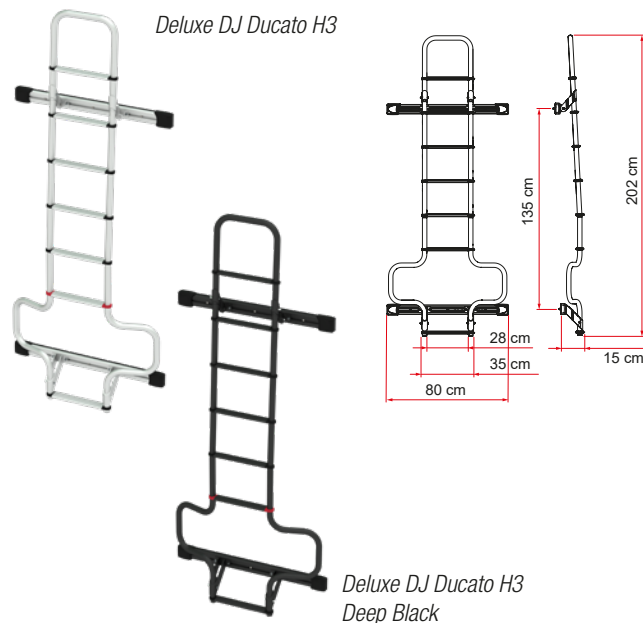
Deluxe 8 et 5D : échelles universales robustes et légères en aluminium anodisé, pour camping-cars. Se plient en deux pour le transport.

Security Grip, accessoire en option (voir page 185), à utiliser comme protection supplémentaire afin d'éviter tout frottement avec le porte-vélos quand l'échelle est montée sur des portes arrière à deux battants.

[1] DELUXE DJ DUCATO



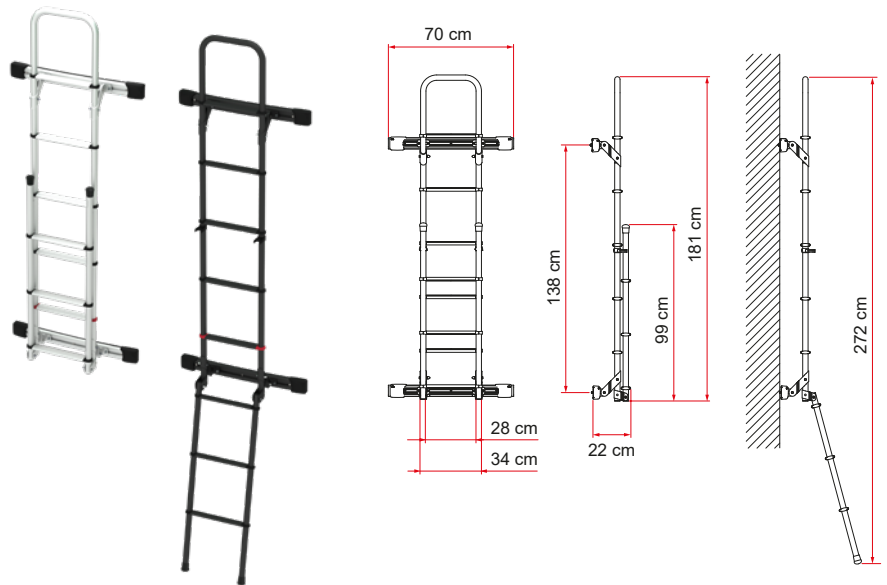
[2] DELUXE DJ DUCATO H3



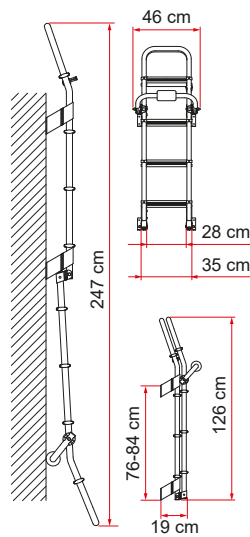
Description	Poids	Nombre de marches	Pliable	Référence	Prix
[1] Deluxe DJ Ducato [restylé]	6,5 kg	6		02426-09A	€ 336,00
[1] Deluxe DJ Ducato - Deep Black [nouveau]	6,5 kg	6		02426A09A	€ 394,00
[2] Deluxe DJ Ducato H3 [restylé]	6,9 kg	7		02426-17A	€ 345,00
[2] Deluxe DJ Ducato H3 - Deep Black [nouveau]	6,9 kg	7		02426A17A	€ 411,00
[3] Deluxe Sprinter [restylé]	7,0 kg	8	●	02426-19A	€ 367,00
[3] Deluxe Sprinter - Deep Black [nouveau]	7,0 kg	8	●	02426A19A	€ 429,00
[4] Deluxe 8	5,5 kg	8	●	02426-02-	€ 242,00
[5] Deluxe 5D	4,9 kg	10	●	02426-08-	€ 221,00
[6] Safe Ladder	1,3 kg			98656-480	€ 88,80

[3] DELUXE SPRINTER

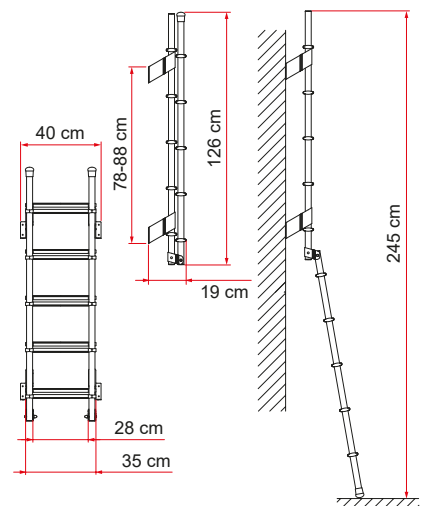
S'installe sur la porte arrière gauche et est compatible avec l'installation du porte-vélos Carry-Bike 200 DJ Sprinter/Crafter (02093B93A), à prévoir sur la porte arrière droite. Structure rabattable pour une plus grande commodité d'utilisation.



[4] DELUXE 8



[5] DELUXE 5D

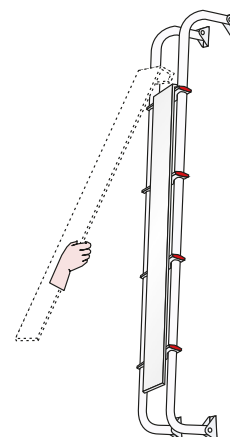


[6] SAFE LADDER

Solide plaque de sûreté anti-volet pour l'échelle du camping-car. Ulérieurement renforcée et élargie. Pour échelle à marche simple ou double. Livrée avec Locks, pommeau anti-volet et clé. Dimensions : 23x78 cm.



6



Deluxe échelles



Échelles en aluminium de qualité pour l'accès à la capucine et à la zone de couchage

Échelles en aluminium inclinées de 15° pour l'accès aux couchettes des camping-cars et des caravanes.

Crochets supérieurs très pratiques.

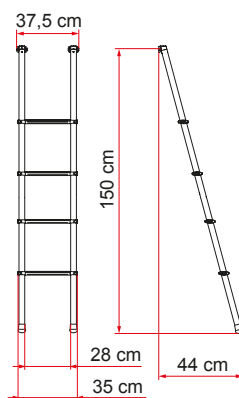
Livrées avec fixations à la zone de couchage.

Marche de 28 cm, encombrement de 35 cm.

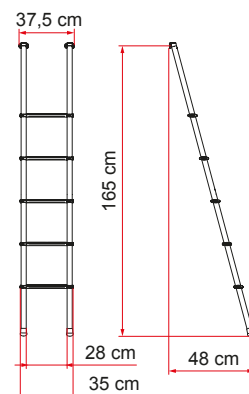
Deux modèles disponibles, à 4 ou 5 marches.



Deluxe 4B

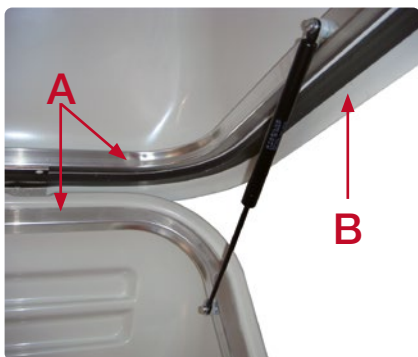


Deluxe 5B



Description	Poids	Référence	Prix
Deluxe 4B	2,4 kg	02426-12-	€ 108,00
Deluxe 5B	2,6 kg	02426-13-	€ 120,00

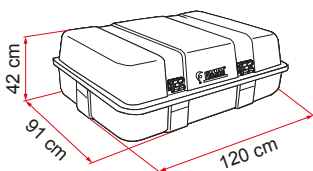
Ultra-Box coffres



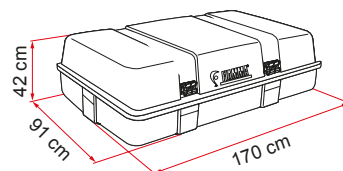
Entièrement renforcés avec structure en aluminium (A) et équipés de joints étanches (B)

Grands coffres de toit pour camping-car, entièrement renforcés avec structure en aluminium et équipés de joints étanches

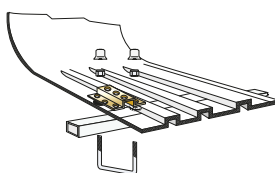
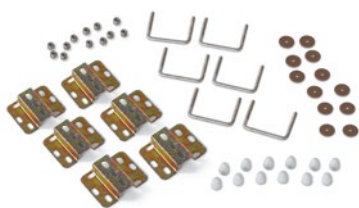
Coffres classiques construits en ABS ultra-résistant de première qualité pour une meilleure résistance aux chocs, aux intempéries et aux UV. En aluminium extrudé très épais pour une grande longévité. Livrés avec pattes de fixation et charnières en inox.



Ultra-Box 2



Ultra-Box 3



Jeu de 6 pattes de fixation de série pour Ultra-Box Top 3
4 pattes de fixation pour Ultra-Box Top 2

Description	Volume	Dimensions extérieures	Dimensions intérieures	Poids	Référence	Prix
Ultra-Box 2	400 l	120x91x42 cm	107,5x77,5x37,5 cm	13 kg	02084-01-	€ 506,00
Ultra-Box 3	520 l	170x91x42 cm	155x77,5x37,5 cm	17 kg	02085-01-	€ 657,00



Une solution de chargement sur le toit idéale pour répondre aux besoins de chacun

Différents ensembles de barres de toit pour différentes exigences et typologies de véhicules.

Tous les modèles de Fixing-Bar s'adaptent aux toits de 240 cm de largeur maximale. Pour les mesures inférieures, il suffit de raccourcir les profils.



ROOF RAIL

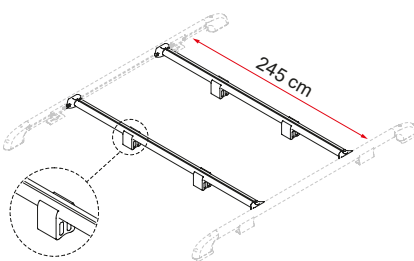
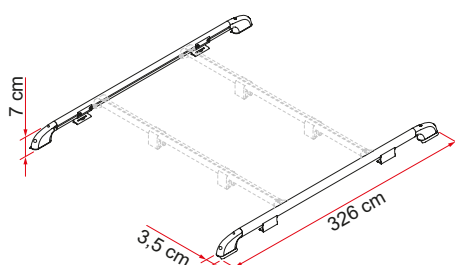
[1] Galerie composée de 2 rails simples à monter sur camping-car et caravane. Sur les rails en aluminium anodisé vous pourrez monter très facilement les barres Fixing-Bar Rail en option. Longueur max. 300 cm, mais possibilité de les raccourcir en un tour de main.

FIXING-BAR RAIL

[1] Barres de toit en aluminium anodisé. Complètent facilement la galerie Roof Rail sans perçage du véhicule. Peuvent être raccourcies.

Livré d'origine avec :

- 2 barres
- 4 embouts de fixation en aluminium moulé sous pression
- 4 rehausses en caoutchouc

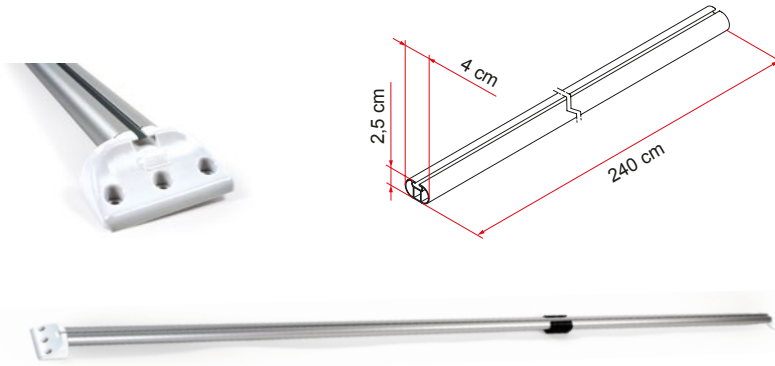




FIXING-BAR PRO L

[2] Barre de toit en aluminium extrudé. Peut être raccourcie. Se monte sur le toit du camping-car ou de la caravane. Idéale comme support de panneaux solaires ou coffres de toit. Livré d'origine avec :

- 1 barre de toit
- 2 embouts de fixation pour les extrémités
- 1 rehausse en caoutchouc

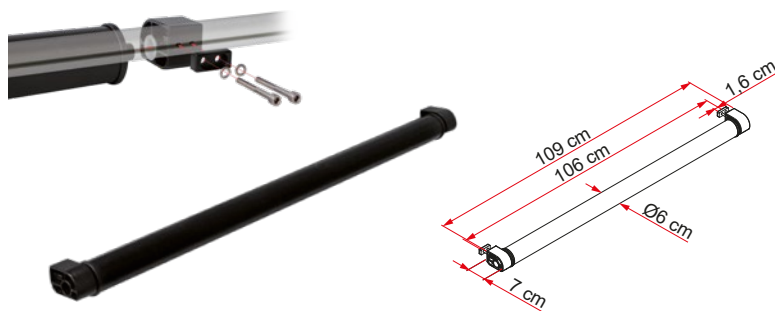


ROLLER ROOF RAIL

[4] Rouleau facilitant le chargement. Facilite les opérations de chargement du canoë, du kayak et d'autres objets depuis l'arrière du véhicule.

Accessoire complémentaire des Roof Rail Ducato, Roof Rail Ducato Maxi XL et pour toutes les galeries de toit en vente, sauf celles au profil arrondi.

Déconseillé pour les véhicules équipés de caméras de recul.



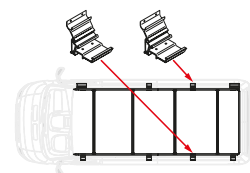
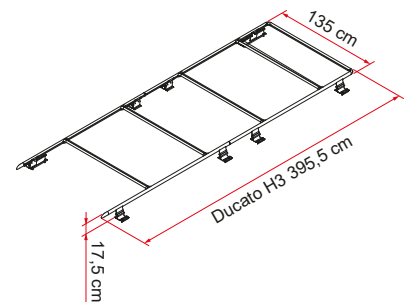
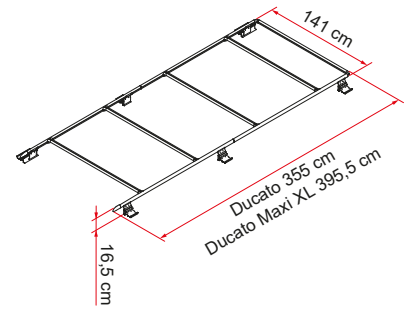
ROOF RAIL DUCATO

[3] Galerie de toit complète spécialement conçue pour le Fiat Ducato, Citroën Jumper et Peugeot Boxer (versions après le 06/2006). S'installe sans perçage du véhicule en utilisant le système de fixation préexistant sur le toit. Charge maxi : 150 kg. Possibilité en outre d'installer le store F80/ F65 grâce aux pattes correspondantes livrées de série (sur véhicules à toit surélevé H2 et longueurs L2, L3 et L4).

Modèles conseillés :

- Roof Rail Ducato (05808-01-) : s'installe sur les véhicules à toit surélevé H2, longueurs L1, L2 et L3 (les 2 barres latérales, livrées de série pour la longueur L3, doivent être raccourcies à souhait pour les longueurs L1 et L2)
- Roof Rail Ducato Maxi XL (05808-02-) : s'installe sur véhicules à toit surélevé H2, longueur L4
- Ducato H3 (05808-03-) : version conçue pour véhicules à toit surélevé H3, longueurs L3 et L4

Kit Roof Rail Ducato Extra : jeu de deux pattes supplémentaires disponible en option (en complément du 05808-02).



Kit Roof Rail Ducato Extra

Description	Poids	Référence	Prix
[1] Roof Rail	4,7 kg	05516-01-	€ 217,00
[1] Fixing-Bar Rail	3,4 kg	98655-075	€ 155,00
[2] Fixing-Bar Pro L	1,5 kg	98655-295	€ 58,10
[3] Roof Rail Ducato	12,0 kg	05808-01-	€ 580,00
[3] Roof Rail Ducato Maxi XL	13,5 kg	05808-02-	€ 684,00
[3] Roof Rail Ducato H3	14,2 kg	05808-03-	€ 730,00
[3] Kit Roof Rail Ducato Extra	1,0 kg	98658-066	€ 103,00
[4] Roller Roof Rail	1,5 kg	06876-01-	€ 130,00

Bi-Pot portable toilets



BI-POT 30

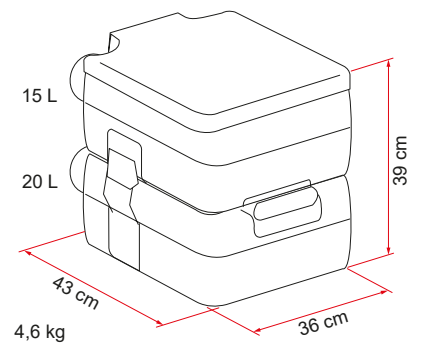
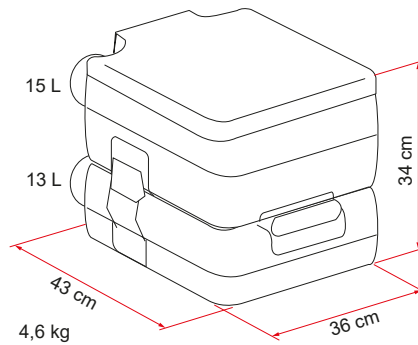
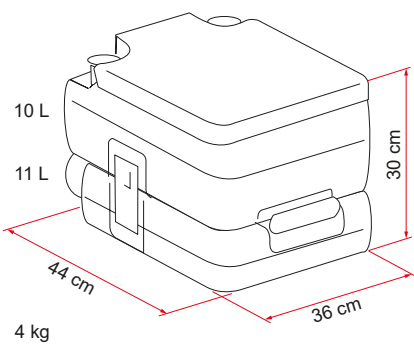
BI-POT 34

BI-POT 39

SMALL

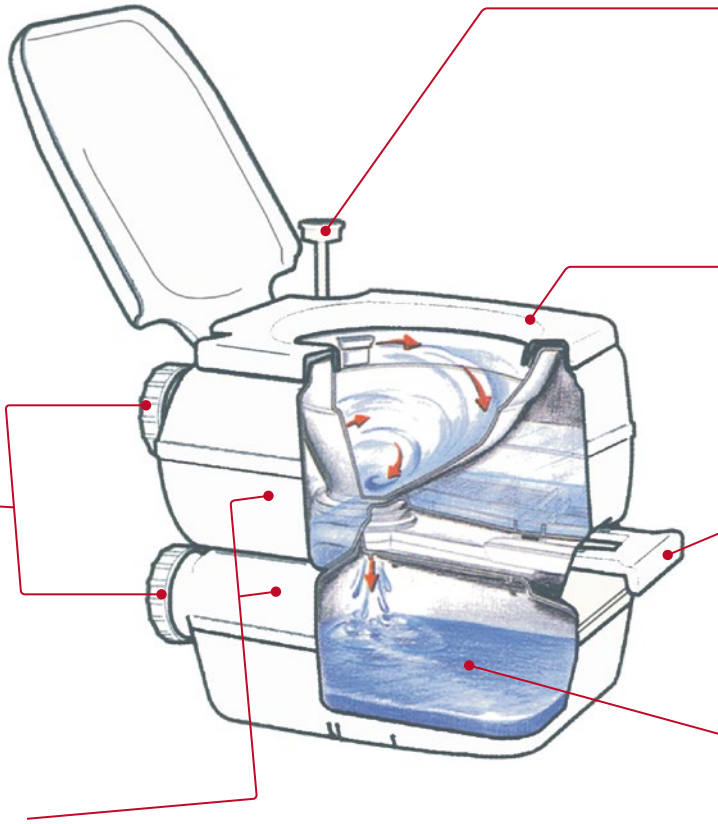
MEDIUM

LARGE





Large and handy charge and discharge openings with semi-transparent lid for better level control



Sturdy piston pump guarantees 3 powerful directional rinsing jets

Comfortable and wide seat for adults and children

Sliding watertight valve with anti-odour seal

Easy to clean, the sturdy tanks are one-piece mouldings. 100% watertight

Scratch-resistant tank built from only one piece without seams for even more strength



Solid and practical piston pump that guarantees three powerful directional rinse jets. It can be completely dismantled



Easy hooking, the only one with sturdy side hooks in stainless steel



External air valve, completely external for easy maintenance



Sturdy collecting tank, seam-free one-piece construction. Absolutely no possibility of leaks

Description	Upper tank	Lower tank	Weight	Dimensions	Colour	Item No.
Bi-Pot 30	10 l	11 l	4,0 kg	43x34x30h cm	grey	01356-01-
Bi-Pot 34	15 l	13 l	4,6 kg	43x36x34h cm	grey	01354-01-
Bi-Pot 39	15 l	20 l	4,6 kg	43x36x39h cm	grey	01355-01-

Sanitary accessories



SUPER KEM BLUE

[1] The most powerful detergent for fixed and portable toilets. Practical 2L bottle with convenient transparent level indicator for easy dosage. The only detergent with security seal for your safety. Double-action formula that continues working wherever you go and in any weather condition. Disintegrating, deodorizing, sanitizing, pleasantly scented fluid (pine essence) containing anti-freeze for temperatures up to -20°C. Eliminates bad odours 90% biodegradable. Essential for Kassett and portable toilets. Keeps the tank clean.



Transparent level indicator, makes dosage easy

Phosphate and Formaldehyde free. Not irritant. In accordance with EC 648-2004 regulation



SUPER KEM SACHETS

[2] Powder disintegrating, deodorizing and sanitizing detergent in sachets for daily use, individually packed in protective packaging. Once having opened the Super Kem sachet single-dose, place the powder in the lower tank and it will dissolve quickly in the water with a fresh and pleasant scent of pine oil. In case of normal use, one dose is enough for max 4/5 days. One container contains 15 sachets of Super Kem Sachets 30gr each.



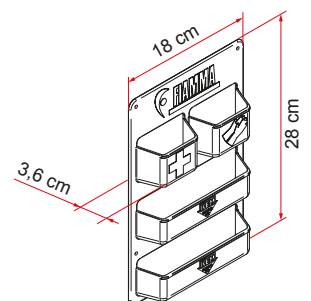
SUPER RINSE

[3] Scented bactericide for chemical toilet fresh water tanks. For portable or fixed toilet fresh water tanks. Powerful rinsing capacity. Cleans and protects the bowl. Available in 1L bottle. In accordance with European 648-2004 regulation.



POCKET KASSETT

[4] Composed of four individual storage pockets. It can be fixed with screws that are delivered as standard inside the door of the Thetford or Dometic Kassett of the vehicle. Ideal for storing Super Kem Sachets in powder, disposable hygienic gloves, sanitizing liquid and various materials for cleaning.



Description	Weight	Item No.
[1] Super Kem Blue	2,0 kg	97310-022
[2] Super Kem Sachets	0,5 kg	97310-023
[3] Super Rinse	0,7 kg	97310-080
[4] Pocket Kassett	0,2 kg	06339-01-



DISPENSER

[1] A 0.20L refillable liquid dispenser (100 doses).
Ideal for soap or shampoo.
Transparent container.
Practical heavy duty push-button pump. Dimensions: 150x8x55mm.

SOFT 6

[2] It won't clog up tanks or waste valves.
Special 2-layered soft toilet paper.
Ideal for fixed and portable toilets thanks to its dissolving formula.
Stronger and softer tissue dissolves quickly in water.
300 sheets per roll. 6 roll pack.

TOILET BRUSH PRO

[3] Toilet brush holder designed specially for motorhome bathrooms. Compact, it takes up very little space in the corner of the bathroom. The big bristle brush cleans efficiently without scratching. Colour: White.

TOILET BRUSH

[4] Delivered as standard with velcro to be fixed to the inside Bi-Pot cover. Colour: White.

BIDET

- **[5] Bidet Universal** for all Bi-Pot types; also adapts to Thetford Porta Potti, Cassette 1, 2, 3, and 4.
- **[6] Bidet 200** for swivelling Thetford Cassette 200, C250 and Dometic CT3000.



Description	Weight	Item No.
[1] Dispenser	0,2 kg	04777-01-
[2] Soft 6	0,7 kg	97312-010
[3] Toilet Brush Pro	0,2 kg	98659-035
[4] Toilet Brush	0,1 kg	98659-025
[5] Bidet Universal	0,3 kg	03483-01-
[6] Bidet 200	0,3 kg	03483A01-

Cover vehicle covers



COVER PREMIUM

[1] The Fiamma Cover Premium is ideal to protect from sun, UV-rays, dust, pollution and dirt. Made of strong and light breathable fabric that prevents humidity and maintains a cool temperature inside the vehicle. Better cover functionality as the result of perfect adherence to the vehicle and an improved belt traction system.

Available in two versions:

- **M:** for motorhome up to 7,1m. long
Dimensions: m 7,16 x 2,59 x 2,74h
- **L:** for motorhome up to 8m.
Dimensions: m 8,08 x 2,59 x 2,74h



Convenient bag for storing the product

COVER TOP

[4] Sturdy and hard wearing cover made with UV resistant and heavy duty vinyl to protect the motorhome from dirt and sun. Easy to tighten using ropes or elastic cords (not included). Reinforced corners and tie down grommets. One size only. Dimensions: 8,5x5,2m.



4 plastic buckles to fix the lower part of the Cover Premium



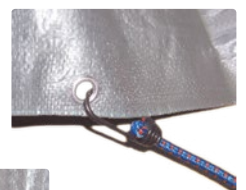
Maximum ventilation thanks to the air vents that also prevent the condensation or pooling of the water under the canopy



Velcro to fix the side panels when they are totally open



New locking system with sturdy plastic buckles. Reflective strips increase visibility during storage



6 comfortable zip fasteners (3 per side) allow entry into the vehicle on both sides

Description	Weight	Item No.
[1] Cover Premium M (up to 7,1 m)	10,0 kg	07916-01-
[1] Cover Premium L (up to 8 m)	11,0 kg	07917-01-
[2] Cover Top	6,0 kg	04932-01-



THERMOGLAS XXL DUCATO

[1] Suitable for Fiat Ducato, Citroën Jumper and Peugeot Boxer from 06/2006. Ideal for winter use to completely cover the engine compartment. Made of insulated material, suitable for low temperatures. Two versions available:

- Complete "XXL Ducato" model, composed of 2 detachable parts. The upper part covers the 3 windows of the cabin; it is possible to uncover the windshield without unmounting the Thermoglas. The lower part, which can be attached with Velcro, covers the engine compartment completely
- "Windscreen" model consisting of the upper part only.

COVERGLAS XL DUCATO

[2, 3, 4] Coverglas is an exterior blind system. It protects the vehicle cab from the sun and UV radiation and increases privacy. Quick and easy to fit.

The assembly system with fastening from the inside protects the Coverglas from theft. Handy bag for keeping the product when it is not in use.

Size bag + product: 33x48x12cm. Excellent for summer use.

- Three versions available:
- Ducato: for Fiat Ducato, Citroën Jumper and Peugeot Boxer after 06/2006
 - VW T5/T6
 - Ford Transit H2 and H3 after 2014



THERMO WALL DUCATO CABIN

[5] Comfortable and useful thermal panel to put between the cabin and the motorhome of chassis Fiat Ducato, Citroën Jumper and Peugeot Boxer (after 2006) to grant more privacy and heat insulation.

Made in seven-layered sturdy insulated material, with the upper part in velcro and central zip-fastener for the door. Dimensions: 182x150h cm.



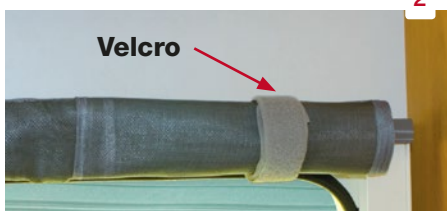
Description	Weight	Item No.
[1] Thermoglas XXL Ducato	11,0 kg	06344A01-
[1] Thermoglas Ducato Windscreen	5,0 kg	08041-01-
[2] Coverglas XL Ducato	3,5 kg	06344-01-
[3] Coverglas VW T5/T6	3,5 kg	06344B01-
[4] Coverglas Ford Transit	3,5 kg	06344C01-
[5] Thermo Wall Ducato Cabin	1,8 kg	06585A01-



1



2



4



MOSKITO NET PRO

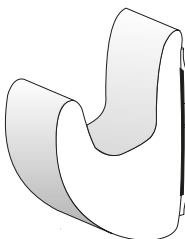
[1] It has double function: apart from being a real mosquito screen it acts also as shade panel, blocking about 60% of light, and it assures extra privacy inside the vehicle. Composed by two overlapping panels 52cm wide and 230cm high.

MOSKITO NET

[2] Composed by two overlapping panels 35cm wide and 230cm high.

DRIP STOP

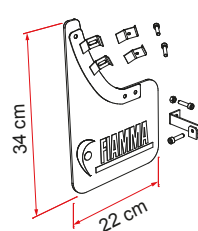
[3] The Drip-Stop gutter eliminates black streaks on your RV, it is made from wide-base flexible polyvinyl. Adhesive acrylic foam of superior quality and adherence is reinforced with aluminium strips that guarantee long life and hold over time. UV-ray proof. In the white and grey versions, the available sizes are 75, 300 and 1000cm. The new additional black colouring is available in lengths of 75, 200 and 500cm.



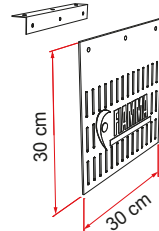
MUD FLAP

[4] Pair of mudflaps suitable for easy installation. Made in sturdy but flexible foam rubber material, delivered as standard with a painted steel bracket for installation.

- **MUD FLAP FRONT:** suitable for mounting behind the front wheels of the Ducato (after 2006).
- **MUD FLAP REAR:** installation on the rear panel of most motorhomes. You can use more mudguards at the same time so as to create a continuous wall at the end of the motorhome.



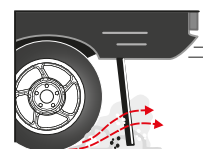
Mud Flap Front



Mud Flap Rear

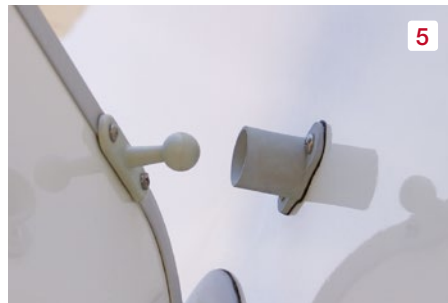


Traditional



Flamma

Description	Weight	Item No.
[1] Mosquito Net Pro	0,6 kg	07485-01-
[2] Mosquito Net	0,5 kg	03508-01-
[3] Drip Stop 75 White	0,2 kg	03922-01-
[3] Drip Stop 300 White	0,8 kg	03922A01-
[3] Drip Stop 1000 White	2,5 kg	03922D01-
[3] Drip Stop 75 Grey	0,2 kg	03922-01G
[3] Drip Stop 300 Grey	0,8 kg	03922A01G
[3] Drip Stop 1000 Grey	2,5 kg	03922D01G
[3] Drip Stop 75 Black [new]	0,2 kg	03922-01A
[3] Drip Stop 200 Black [new]	0,8 kg	03922E01A
[3] Drip Stop 500 Black [new]	2,5 kg	03922F01A



DOOR HOLDER

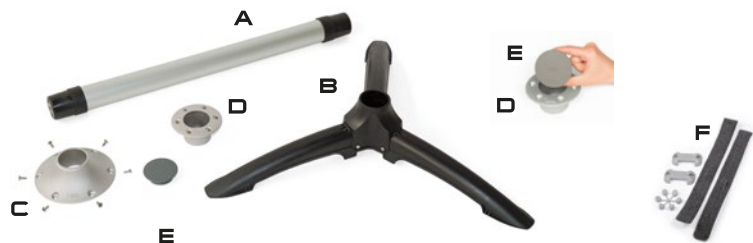
[5] Convenient external plastic door holder to prevent the unintentional closing of the door of your vehicle. Suitable for the doors of motorhomes, caravans, garage facilities etc.

OMNI STOP

[6] An innovative and simple multipurpose accessory, ideal to keep plates and items in place as you travel. Easy to lock and unlock. Securing bar made of anodized aluminium 25cm. high. Support handle in sturdy plastic 20cm. long.

TABLE LEGS

[7] Range of modular table legs, ideal to build dismountable and revolving tables. Leg (A) made from sturdy anodized aluminium. Leg is 70cm but can be reduced in size and has a diameter of 5,5cm. Provided with two tapered plastic caps. Conic (C) and recessed (D) connections are made of aluminium, supplied with self-tapping screws, the Adapter (F) is optionally available for wall installation of the Tube Pro (when not in use). Great stability. Easy to assemble and disassemble. The recessed connection now has reduced dimensions and is flush to the floor: plastic cap (E) is for covering the hole and is available on request. Reinforced and more stable tripod (B) to carry the table outside. Made of UV resistant plastic material.



Description	Weight	Item No.
[4] Mud Flap Front	1,2 kg	06606-01-
[4] Mud Flap Rear	1,2 kg	06607-01-
[5] Door Holder	0,1 kg	04663-01A
[6] Omni Stop	0,1 kg	04912-01-
[7] Tube Pro (A)	0,7 kg	06375-01-
[7] Tripod Pro (B)	1,0 kg	06362-01-
[7] Conic Connection (C)	0,2 kg	C5063-01-
[7] Recessed Connection (D)	0,1 kg	C0331-01-
[7] Cap (E)	0,1 kg	02411-01B
[7] Adapter Tube Pro (F)	0,1 kg	98655-605

FAQ - Frequently Asked Questions

Q - Do you have Fiamma dealers in my area?

A - To find your nearest Fiamma dealer, visit our web page "points of sales" on fiamma.com site.

Q - Can I purchase Fiamma accessories directly from Fiamma?

A - No, you can't buy directly from Fiamma. However you can easily place an order to your nearest Fiamma dealer (click on "points of sale" on our web site fiamma.com).

Q - Can I purchase Fiamma spare-parts directly from Fiamma?

A - To buy Fiamma spare parts please address your request to your reliable dealer.

Q - Can I bring my products to Fiamma to get them repaired?

A - No, we don't have a public service point but we suggest you to apply to a Fiamma dealer listed on "points of sales" on fiamma.com.

Q - How long does Fiamma warranty last and how does it work?

A - The warranty on Fiamma products lasts 2 years. It is necessary to have the relevant invoice/receipt of your product when visiting your dealer.

Q- What information must I provide to the service point to order spare parts?

A - The model of the product and its serial number (for awnings and Carry-Bikes), a copy of the relevant proof of purchase if the product is under warranty.

Q - Where is the S/N (Serial Number) of the awning?

A - The S/N of the awnings is on the internal side of the leadbar (F35/CaravanStore) or on the right arm (F45/F80/F65/Eagle); in order to read it you must open the awning.

Q - What awning can I install on my vehicle?

A - The choice of the awning depends on several factors: type of vehicle (motorhome, caravan, van), and type of structure. Our catalogue provides useful information to understand which is the suitable product for you. For specific information we always recommend that you consult your dealer.

Q - What is the difference between F45/F70 and F80/F65?

A - The fundamental difference between these two models is that F45/F70 is suitable for installation on the wall of the vehicle while the F80/F65 on the roof of the vehicle. The choice must be made according to the shape of the vehicle; when possible (when the wall of the motorhome is flat and with no windows, etc.) is always better to choose an F45/F70.

Q - What is the difference between the F45/F70 awning and F35pro awning?

A - The F45 (like the F80/F65) awning is the top of our line, high technology, with automatic opening using a crank handle. The F35pro awning has a smaller case, is less expensive and lighter and the opening/closing operation is manual, rolling the fabric in and out by hand.

Q - Are the installation adapters standard delivered with my awning?

A - A standard set of adapters (Kit AS 110/120/400 o 400L) is delivered with every F45s, F70 and F45L awning. We also have many other adapter kits specially designed for specific vehicles. The F45 Eagle awnings are delivered with full length AS bracket. The CaravanStore and the F35pro can be installed in the caravan awning rail where possible, otherwise you can order separately specific adapters. The Fiamma F80/F65 awnings are always supplied without adapters as the mounting system is different depending on what type of vehicle you have, so you have to order the installation brackets separately.

Q - Can I equip my Fiamma awning with a 12V motor afterwards?

A - Only the F45s, F45L and F80/F65 can be equipped with a 12V motor afterwards. CaravanStore and F35pro can not be motorized.

Q - Do Fiamma awnings always include a central rafter?

A - Not always. All F45 and F80/F65 awnings from 4.00m length are standard delivered with central tension rafter with the exception of the Eagle versions. One Rafter CaravanStore (Item No. 03888-01-) is standard included in the CaravanStore 4.10m and 1 Rafter + 1 CaravanStore Support Leg in CaravanStore 4.40m. In all other awning lengths the Rafter must be acquired as an optional accessory.

Q - Does my awning have support legs?

A - Yes. Support legs are included in all our awnings from 2.00m lengths onward. They are attached permanently to the awning and fold up inside the case when the awning is closed. Our Eagle awnings are self supporting and do not include support legs.

Q - What is the difference between fixing the support legs on the floor or on wall (using the appropriate brackets supplied as standard)?

A - It is always necessary to use support legs when opening an awning. The only exceptions are the Eagle models, which, not having the legs, are equipped with reinforced arms and structure. Fixing the legs to the ground, with the proper pegs, or on the wall of the vehicle with the suitable brackets, are both correct methods of operation.

Q - For the Fiamma ZIP and CaravanStore ZIP can I buy the awning and the enclosure separately?

A - No, ZIP versions are sold only complete. However, in special cases, you can require only the awning or only the complete closure (frontal + side panels) by replacing the complete closure of a damaged product.

Q - What can be used to clean my awning fabric?

A - The best way to clean it is to use water with a cloth or a soft brush. If it is very dirty, add some degreasing detergent to the water. Make sure to rinse carefully any remaining detergent on the fabric.

Q - How far can I extend the awning?

A - You can unroll the awning stopping at any distance you prefer. When the awning is fully extended, the fabric can sag lightly, just roll it back for about one turn to put it in tension again.

Q - Can I use my awning to protect me from the rain?

A - The awning is meant to shelter you from the sun and moderate rain. Therefore, we recommend you close the awning in case of strong wind, heavy rain or snow. For moderate rain use the central rafter and lower one leg to allow water running off. Water pooling can stretch the fabric causing faulty closing. Be careful because the fabrics with this kind of problem are not covered by warranty.

Q - Can I drive when my CaravanStore is mounted?

A - For small and longer distances, you can leave the CaravanStore mounted on the vehicle. Please consider that the vibrations can make the awning beat against the wall of the vehicle, causing noise and damaging the wall of the vehicle. Always check with the manufacturer of your caravan/motorhome.

Q - On which awnings can the Privacy Room be installed?

A - Privacy Room is designed for F45s, F45L F45 Ti, F45 Ti L, F45i and F45i L awnings. F80/F65 only if installed on Fiat Ducato after 06/2006 and on Caravan.

The Privacy Room cannot be fitted on models produced before the F45 Plus and Elegance.

The Kit Privacy O (which is standard delivered with the Privacy Room) allows the installation of the Privacy Room on Omnistor 5002, 5003, 4900 and Tristor2 awnings too.

FAQ - Frequently Asked Questions

Q - Can I install the Privacy Room for F45 on a motorhome with an F80/F65 mounted?

A - Normally no, but there are rare cases in which it is possible.

Q - Is the Privacy Room a tent awning?

A - No, the Privacy Room is not a tent and it needs to be mounted on an awning. The Privacy Room offers you extra space and also the possibility to sleep in it when the weather is nice. Please note that the Privacy Room is not a permanent tent and needs to be closed in case of storm and wind.

Q - Can the Privacy Room be used in Winter when snowing?

A - No, it is certainly not suitable. Even a thin layer of snow causes a heavy weight on the awning. This can lead to serious damage.

Q - Is the installation kit standard delivered with the Privacy Room?

A - Yes, the installation system is standard delivered with the Privacy Room (panels+aluminium structure), together with the Mega Bag (Large strong bag, suitable for transporting goods in the storage compartment or the Privacy during travelling).

Q - Is there a side or front panel that I can use on my awning?

A - Yes, as an alternative to the enclosures (Privacy Room), Fiamma offers front (Blocker) and side panels (Side) in different versions and lengths.

Q - Can I mount Side and Blocker panels on my awning?

A - There are many models for winch awnings (F45, F70, F80/F65) and for manual awnings (CaravanStore, F35pro).

Q - Which Carry-Bike can I install on my vehicle?

A - The choice of the Carry-Bike depends on the type of vehicle (motorhome, caravan, van) and on its structure. You can find a wide range of information on this catalogue. For further information and for professional support, we suggest to consult your dealer.

Q - Is the rear wall of my vehicle strong enough to install a Carry-Bike?

A - Most of the vehicles don't show any problem when mounting a Fiamma Carry-Bike, but we suggest for you to contact the dealer or the manufacturer of your vehicle in order to locate the most suitable installation points on the back of your vehicle (as they differ depending on the manufacturer).

Q - Can I carry electric Bikes on the Carry-Bike?

A - The Carry-Bike Lift 77, Pro and Pro C E-Bikes, Caravan XL A Pro 200 and Active E-Bike, Mercedes V Class Lift E-Bike and the models for the garage facility are ideal for transporting electric bikes, possibly with the addition of the optional Rail Premium E-Bike.

We suggest you place the Rails Premium E-Bike near the wall of the vehicle and for you to remove the batteries of electric bikes so as to limit the weight on the wall.

In accordance with the capacity of the Carry-Bike, a maximum of 2 E-bike rails can be used, each can carry up to 30 kg.

Q - Can I carry my motorcycle on the Carry-Bike?

A - Absolutely not. Fiamma Carry-Bikes have been designed for the exclusive transport of bicycles. Even if your motorcycle doesn't exceed the maximum load of the Carry-Bike, this value is calculated to uniformly distribute the weight on the structure; an excessive weight, like that of a scooter, localized on a single rail, is not allowed.

Q - What is the maximum speed I can travel with the carry-bike mounted?

A - With a Fiamma Carry-Bike mounted on the vehicle you can't exceed the maximum speed of 110 km/h (for minivans) and 90 km/h for motorhomes, even if you carry only one bike.

Q - Can the plastic signal for protruding loads (Plastic Signal Item No. 98782-005) be used in Italy?

A - Unfortunately a Plastic Signal is not approved in Italy and therefore it does not meet the requirements of the law. The Alu Signal (aluminium) is approved by the Italian Ministry of Transport and is therefore suitable.

Q - In the box of my Garage product I can't find the screws for the fixing to the floor / wall of the garage?

A - Most of the products for garage facilities, including the Carry-Bike, are supplied without screws for fixing on walls or on the floor of the garage because their structure (thickness, materials, etc.) varies greatly depending on the model. For more information, please refer to the installation manual attached to the product.

Q - The roof of my vehicle has a thickness higher than 5 cm. Is there a way to install the Turbo-Vent?

A - Yes, you can install the Turbo-Vent or the Vent thanks to a special extension (code 98683-116). However, the extension is not a cover, and then the portion of the cut roof will be visible through the rooflight.

Q - What Ultra-Box should I choose for my Carry-Bike?

A - All three Ultra-Box for Carry-Bike (320, 360, 500) can be mounted on all Fiamma Carry-Bike apart for the ones with the non-aligned rails, or not centred in the Carry-Bike (VW T5 D, VW T4 D, DJ 200, 200 D, Renault Traffic D). Be careful not to exceed the maximum capacity of the bike carrier, which has to be calculated adding the weight of the Ultra-Box to the weight of its contents.

Q - Can I travel with the rooflight open?

A - No, travelling with the rooflight open may damage it and it's dangerous for other motorists.

Q - What is the maximum distance I can have between the pump Aqua 8/F and services?

A - Fiamma pumps can bring the water at distances superior then the ones of any existing recreational vehicle.

Q - What is the maximum height Aqua 8/F pump can push the water?

A - Even in this case Fiamma pumps have a hydraulic performance that is superior to the needs of campers and motorhomes.

Q - What is the maximum water temperature for Aqua F and Aqua 8 pumps?

A - The water must be at room temperature. It can't be preheated with other devices.

Q - What versions of Safe Door and Security can I install on my vehicle?

A - There are no special constraints if there is enough space for the product on the external side, and for its bracket (or frames) on the inner side.

Q - Does Fiamma Super Kem and Super Rinse respect the environment?

A - Of course. Fiamma chemical products don't contain formaldehyde, comply with all national and international regulations respecting the environment.

A	
A20	163
Adapters CaravanStore	95
Adapters Compass	95
Adapters F35pro	93-95
Adapters F45 - F70	80-86
Adapters F40van	92
Adapters F80 - F65 - F65eagle	87-91
Alu Jacks	172
Alu Signal	142
Anti Slip Plate	171
Aqua F	162
Aqua 8	163
Awning Arms LED	158
B	
Bidet	195
Bike Cover Caravan	143
Bike Cover Premium S / Cover S	143
Bike Frame Adapter	139
Bike-Block Pro S / Pro	138-139
Bi-Pot	192-193
Blocker / Blocker Pro	44-45
C	
Cable-Lock	140
CaravanStore / XL	34-35
CaravanStore Support Leg	76
CaravanStore ZIP XL	62-63
Cargo Back	145
Cargo Strap	180
Carry-Bike 200 D	127
Carry-Bike 200 DJ	126-127
Carry-Bike Backpack / 4x4	128-129
Carry-Bike Caravan Active / E-Bike	112-113
Carry-Bike Caravan Hobby	114-115
Carry-Bike Caravan Universal	114-115
Carry-Bike Caravan XL A	112-113
Carry-Bike Caravan XL A Pro	113
Carry-Bike Caravan XL A Pro 200	113
Carry-Bike Caravan XL A Pro 200 / E-Bike	113
Carry-Bike CL	106-107
Carry-Bike Ducato Frame	125
Carry-Bike E-Bikes	102-103
Carry-Bike Ford Custom	122-123
Carry-Bike Ford Transit	123
Carry-Bike Garage Plus	130-131

Carry-Bike Garage Slide Pro Bike	131
Carry-Bike Garage Standard	130-131
Carry-Bike L80	111
Carry-Bike Lift 77 / E-Bike	108-109
Carry-Bike Mercedes Viano	120-121
Carry-Bike Mercedes Vito	120-121
Carry-Bike Mercedes V Class	120-121
Carry-Bike O. Vivaro / R. Trafic	122-123
Carry-Bike Pro / Pro C / Pro M	104-105
Carry-Bike Pro Autotrail	110-111
Carry-Bike Pro C Knaus	111
Carry-Bike Pro Hymer - Dethleffs	110-111
Carry-Bike Renault Trafic D	123
Carry-Bike Simple Plus 200	115
Carry-Bike Trigano - CI	111
Carry-Bike UL / UL 48	106-107
Carry-Bike VW Caddy	118-119
Carry-Bike VW Crafter Frame	124
Carry-Bike VW T2	119
Carry-Bike VW T3 (T25)	119
Carry-Bike VW T4 / T4 D	118-119
Carry-Bike VW T5 Pro / T5	116-117
Carry-Bike VW T6 Pro / T6	116-117
Carry-Bike VW T5 D / T6 D	118-119
Carry-Dog	176
Carry-Moto / Pro	132-133
Carry-Ramp	133
Chock Level	171
Clean Step	173
Compass	38-39
Cover Premium	196
Cover Top	196
Coverglas XL Ducato	197
Crank Handle	74
Curtains Kit Smoke	76
D	
Deluxe	186-188
Dispenser	195
Door Holder	199
Door Pole	75
Drip Stop	198
Duo-Safe Pro	183
Dust Guard	141
E	
Easy Dry	145

F	
F35pro	36-37
F40van	32-33
F45eagle	24
F45L	22-23
F45s	16-17
F45s VW T5/T6	18
F45s PSA	19
F65eagle	30-31
F65L	28-29
F70	20-21
F80s	26-27
Fiamma ZIP	60-61
Fix Organizer	174-175
Fixing-Bar Carry-Bike	141
Fixing-Bar Pro L	191
Fixing-Bar Rail	190-191
G	
Garage Bars	178
Garage Box	177
Garage Carry-Rail	179
Garage Pack / Plus	131
Garage System	177
Grip System	170
K	
Kit Adapter T5 to T6 / T5 pro to T6 pro	117
Kit Awning Hangers	73
Kit Awning LED	158
Kit Awning Pegs	70
Kit Awning Plate	70
Kit Cables Guide / Rail	158
Kit Dethleffs	110
Kit Eye	178
Kit Frame Cargo Back	145
Kit Garage Wall Brackets	177
Kit LED Awning Case 50	159
Kit LED Strip Awning / Brightness	158
Kit Level Up	168-169
Kit Level Up Jumbo	168-169
Kit Magic Privacy	75
Kit Poles	77
Kit Poles Light	76
Kit Premium S	137
Kit Rail Premium 48	137
Kit Rain Guard	78-79

Products alphabetic index

Kit Repair Plus	74
Kit Sanitary Flex	165
Kit Security Lock	184
Kit Spacer Security Fendt	184
Kit Square Plates	178
Kit Support Bar	141
Kit Turbo Vent 28 F	150
Kit Turbo Vent F / Premium / P3	151
Kit Upgrade E-Bike	137

L

LED Awning Case	159
LED Awning Light	160
LED Awning Light Gutter	161
LED Garage Light	160
LED Sensor Door Light	161
LED Step	161
LED Warning Solar	160
Level Bag / S	171
Level Plate	171
Level Pro	169
Level System Jumbo	169
Level System Magnum	169
Level Up	168-169
Level Up Premium	166-167
Licence Plate Carrier	141
Luggage Bar	179

M

Magicrafter / Pro	69
Mega Bag / Light	73
Moskito Net / Net Pro	198
Moskito Net Door	77
Moto Wheel Chock	133
Motor Kit	66-67
Mud Flap Front / Rear	198-199

O

Omni Stop	199
-----------	-----

P

Pack Organizer	174-175
Pack Organizer Privacy	77
Pack Waste	176

Patio-Bag	72
Patio-Mat	72
Plastic Jacks	172
Plastic Signal	142
Plates / Plates Pro	172
Pocket Kassett	194
Pocket M / L / XL	176
Privacy Rail Kit	76
Privacy Room	48-51
Privacy Room CS Light	58-59
Privacy Room Light	52-53
Privacy Ultra Light	54-55

Q

Quick Connection W	165
Quick-Safe	140

R

Rafter / Rafter CaravanStore	68
Rafter LED / CaravanStore	159
Rafter Pro	68
Rail Premium / S / XL	136-137
Rail Premium S Fat Bike	137
Rail Quick Pro / C	134-135
Rail Strip Pro	135
Rain Caps	79
Rain Guard	78-79
Rear Door Cover	64
Rear Skirting	65
Roller Roof Rail	191
Rollo Vent 40	155
Roll-Tank	164-165
Room van	56-57
Roof Rail / Ducato	191

S

Safe Door	182-183
Safe Door Guardian	181
Safe Ladder	186
Safety Strip	73
Security	184-185
Security Grip	184-185
Security Strip	140

Shade Sun View	45
Side W Pro	46-47
Side W Pro Shade	46-47
Side W Caravanstore	47
Skirting	65
Slide Out	25
Soft 6	195
Spoiler 40	155
Spoiler S	73
Spoiler Universal	155
Step / Step magnum	173
Step-Mat	173
Strip	140
Super Kem Blue	194
Super Kem Sachets	194
Super Rinse	194
Sun View Side	47
Sun View XL	45

T

Table Legs	199
Tank 70	164
Thermo Vent 40	155
Thermo Wall Ducato Cabin	197
Thermoglas XXL Ducato	197
Tie Down / Tie Down S	71
Toilet Brush / Pro	195
Turbo-Kit	149
Turbo-Vent	152-153
Turbo-Vent Premium	152-153

U

Ultra-Box 2/3	189
Ultra-Box 320-360-500	144

V

Vent	152-153
Vent F Pro	151
Vent 28 F	150
Vent 50	154

W

Water Cap	164
Wheel Saver	170



Awnings

Enclosures

Bike carriers

Rooflights

LED

Pumps

Tanks

Organizer

Levellers

Garage Accessories

Luggage racks

Security



Fiamma SpA - Italy

Via S. Rocco, 56

21010 Cardano al Campo (VA)

Fax +39 0331 263 777